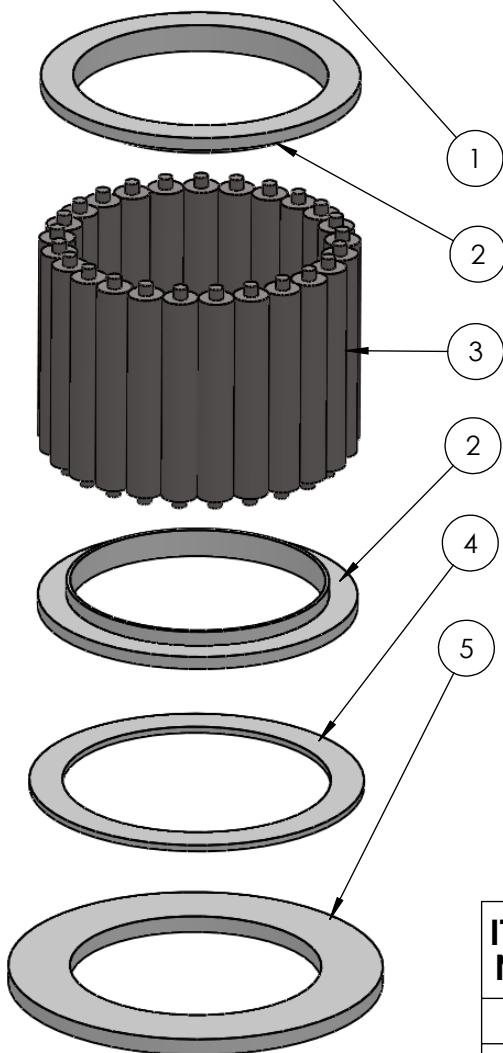
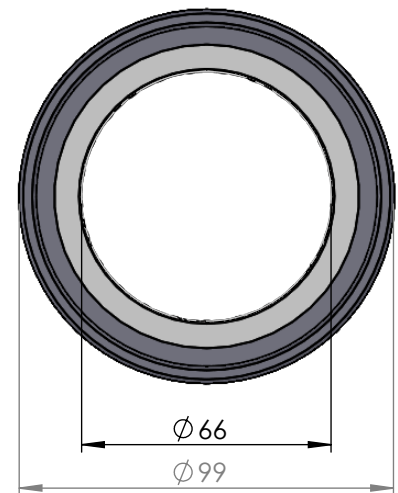
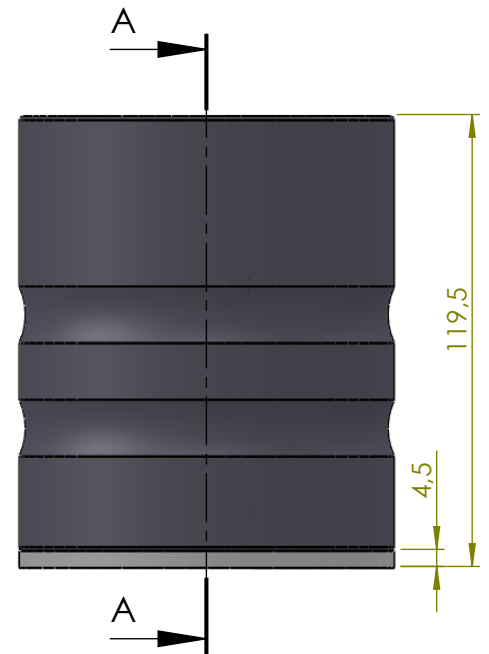


SECTION A-A



ITEM NO.	PART NUMBER	PART NAME	EXPL /QTY
1	M21-107	Rollerbearing $\phi 60 - \phi 69\text{mm}$	1
2	M05-167	L-ring $\phi 67 \phi 69.5 \phi 85$	2
3	M01-324	Roller $\phi 9.5 \times 57\text{mm}$	25
4	M03-207	Delrin Lockring $\phi 88,5 \times \phi 71 \times 1,75\text{mm}$	1
5	M07-139	Washer $\phi 66.5 \phi 99$	1

DWG NR / NAME:

41066 / Lower roller bearing

BATCH NR:

PROJECT:

Shaft $\phi 66\text{mm}$, max working load 4500kg

REKV.NR / ORDRE NR:

DATE:
10-06-2009NAME:
JRSCALE / PAPER:
1:2 / A4MATERIAL:
WEIGHT: g

LOCATION:

ORDRE DATO:

MODIFY DATE:

: /

REV:

LEV.DATO:

Jefa Rudder
SYSTEMS

JEFA MARINE A/S
NIMBUSVEJ 2
2670 GREVE, DENMARK

Tlf: +45 4615 5210 & Fax: +45 46155208
Email: info@jefa.com www.jefa.com