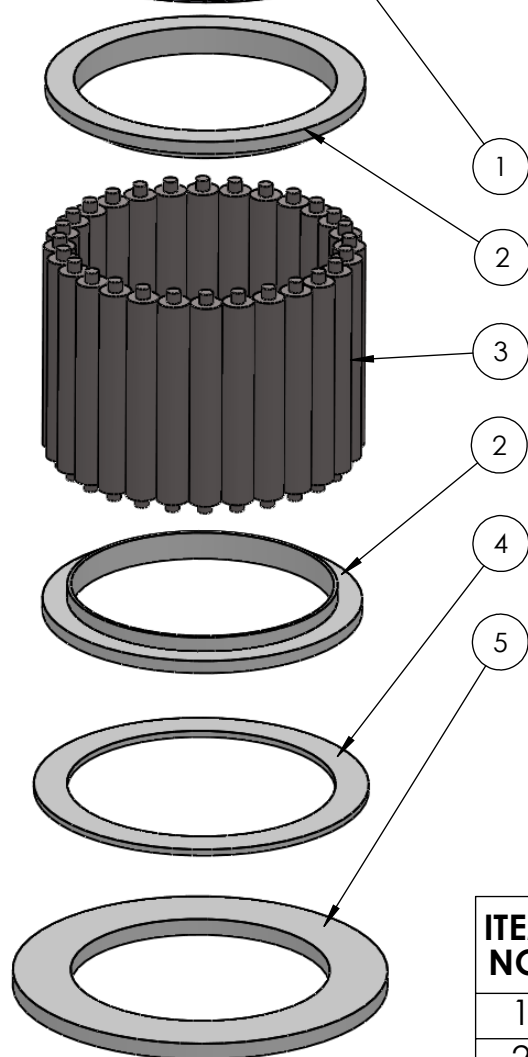
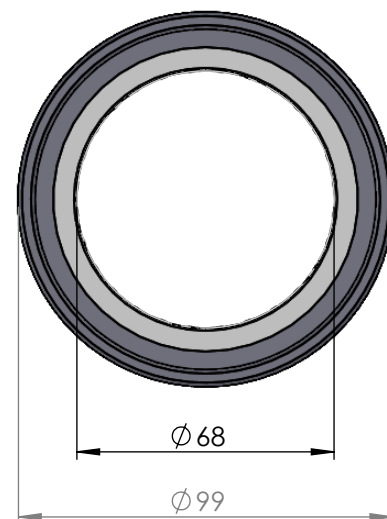
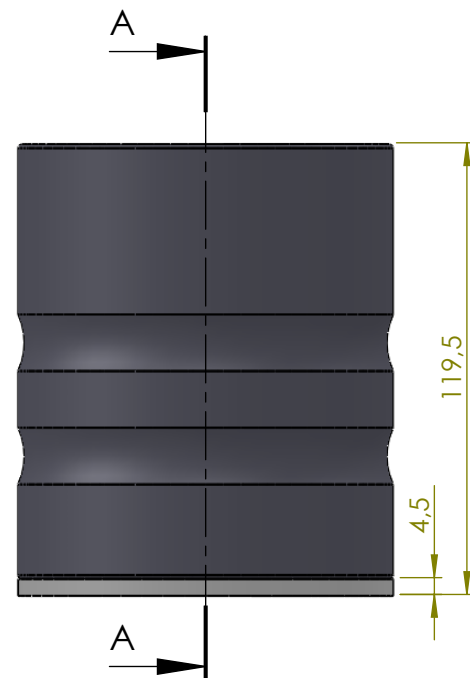


SECTION A-A



ITEM NO.	PART NUMBER	PART NAME	EXPL /QTY
1	M21-107	Rollerbearing $\phi 60 - \phi 69$ mm	1
2	M05-170	L-ring $\phi 69 \phi 71.5 \phi 85$	2
3	M01-308	Roller $\phi 8.5 \times 57$ mm	28
4	M03-207	Delrin Lockring $\phi 88,5 \times \phi 71 \times 1,75$ mm	1
5	M07-142	Washer $\phi 68.5 \phi 99$	1

DWG NR / NAME:

**41068 / Lower roller bearing**

BATCH NR:

PROJECT:

Shaft  $\phi 68$ mm, max working load 4500kg

REKV.NR / ORDRE NR:

DATE:

10-06-2009

NAME:

JR

SCALE / PAPER:

1:2 / A4

MATERIAL:

WEIGHT:

g

LOCATION:

REV:

ORDRE DATO:

LEV.DATO:

*Jefa Rudder*  
SYSTEMS

JEFA MARINE A/S  
NIMBUSVEJ 2  
2670 GREVE, DENMARK

Tlf: +45 4615 5210 & Fax: +45 4615 5208  
Email: info@jefa.com www.jefa.com

: /