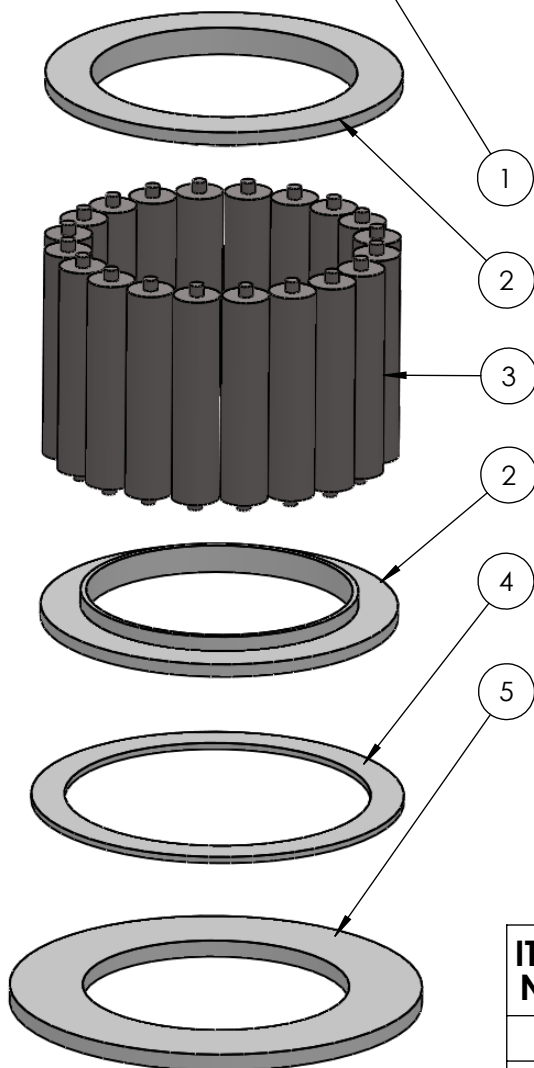
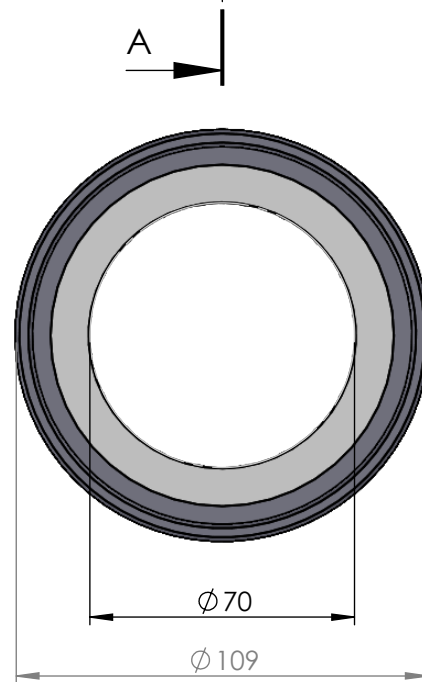
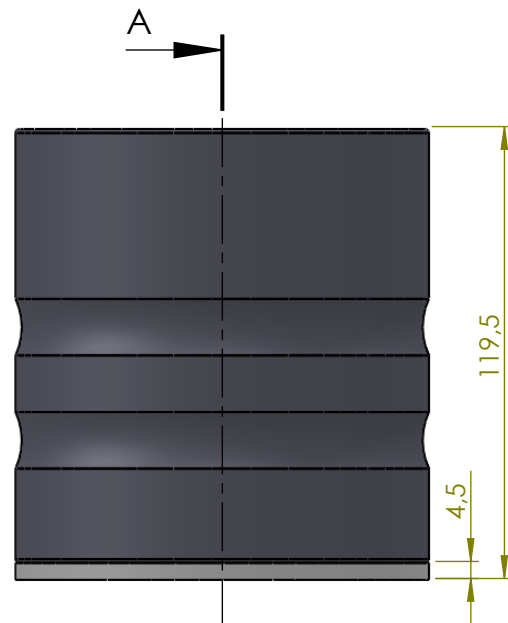


SECTION A-A



ITEM NO.	PART NUMBER	PART NAME	QTY
1	M21-109	Rollerbearing $\varnothing 70 - \varnothing 79$ mm	1
2	M05-176	L-ring $\varnothing 70 \varnothing 73.5 \varnothing 95$	2
3	M01-372	Roller $\varnothing 12.5 \times 57$ mm	20
4	M03-213	Delrin Lockring $\varnothing 98,5 \times \varnothing 81 \times 1,75$ mm	1
5	M07-146	Washer $\varnothing 70.5 \varnothing 109$	1

DWG NR / NAME:

41070 / Lower roller bearing

BATCH NR:

PROJECT:

Shaft $\varnothing 70$ mm, max working load 5100kg

REKV.NR / ORDRE NR:

DATE:
10-06-2009

NAME:
JR

SCALE / PAPER:
1:2 / A4

MATERIAL:
WEIGHT: g

LOCATION:

ORDRE DATO:

MODIFY DATE:

REV:

LEV.DATO:

Jefa Rudder
SYSTEMS

JEFA MARINE A/S
NIMBUSVEJ 2
2670 GREVE. DENMARK

Tlf: +45 4615 5210 & Fax: +45 46155208
Email: info@jefa.com www.jefa.com

: /