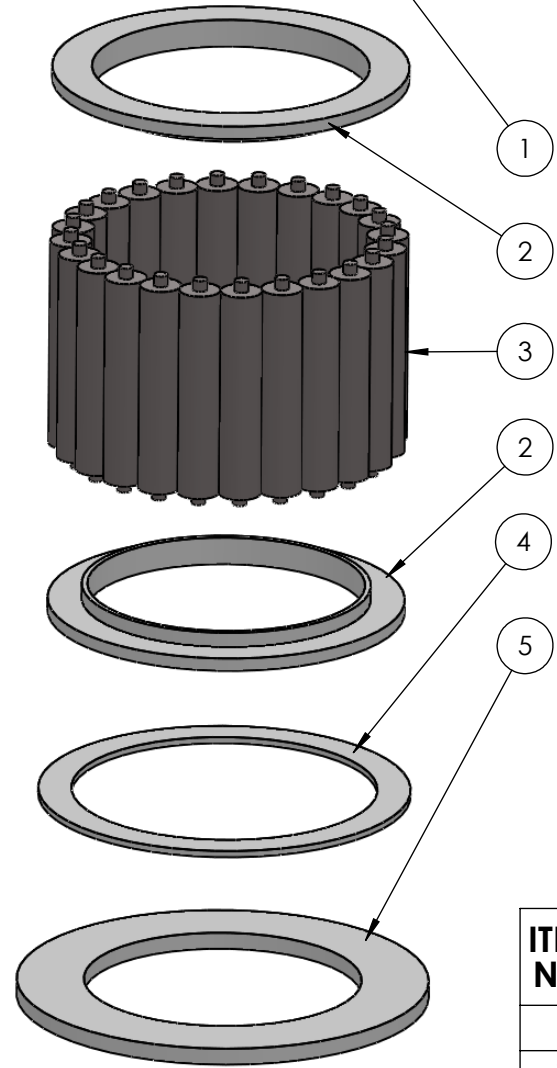


SECTION A-A



| ITEM NO. | PART NUMBER | PART NAME | EXPL /QTY |
|----------|-------------|---|-----------|
| 1 | M21-109 | Rollerbearing $\phi 70 - \phi 79$ mm | 1 |
| 2 | M05-179 | L-ring $\phi 73 \phi 76.5 \phi 95$ | 2 |
| 3 | M01-348 | Roller $\phi 11.0 \times 57$ mm | 24 |
| 4 | M03-213 | Delrin Lockring $\phi 98,5 \times \phi 81 \times 1,75$ mm | 1 |
| 5 | M07-149 | Washer $\phi 73.5 \phi 109$ | 1 |

DWG NR / NAME:

41073 / Lower roller bearing

BATCH NR:

PROJECT:

Shaft $\phi 73$ mm, max working load 5100kg

REKV.NR / ORDRE NR:

DATE:

10-06-2009

NAME:

JR

SCALE / PAPER:

1:2 / A4

MATERIAL:

WEIGHT:

g

LOCATION:

ORDRE DATO:

MODIFY DATE:

: /

REV:

LEV.DATO:

Jefa Rudder
SYSTEMS

JEFA MARINE A/S
NIMBUSVEJ 2
2670 GREVE, DENMARK

Tlf: +45 4615 5210 & Fax: +45 46155208
Email: info@jefa.com www.jefa.com