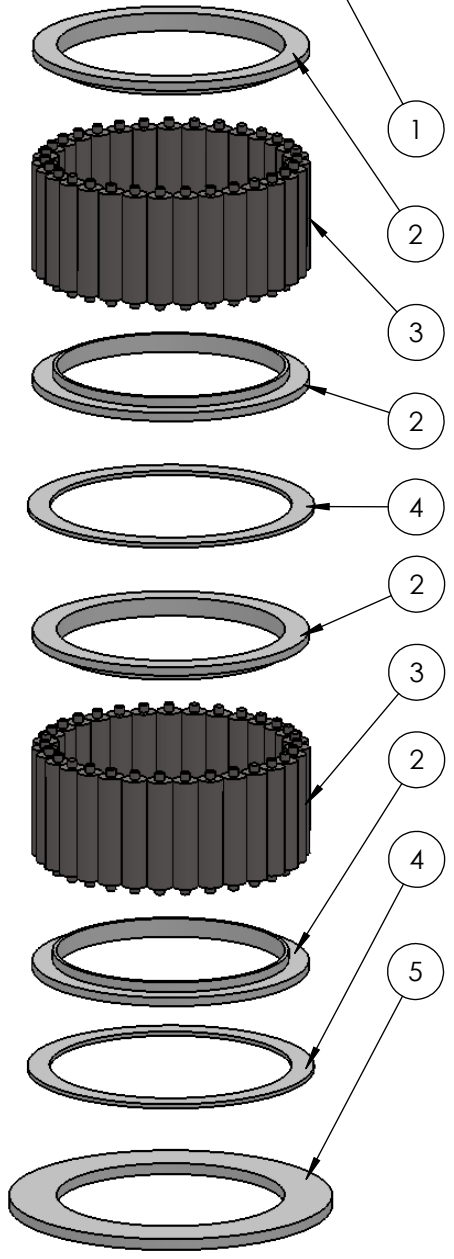
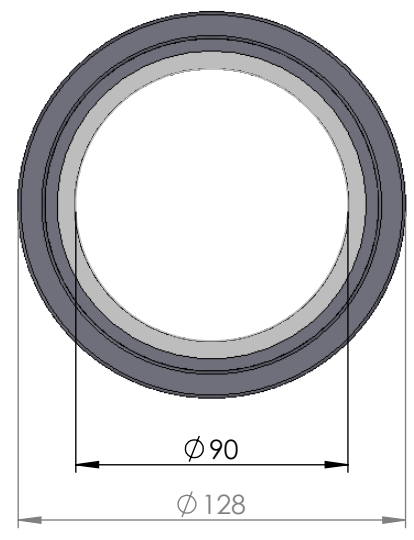


SECTION A-A



ITEM NO.	PART NUMBER	PART NAME	EXPL /QTY
1	M21-113	Rollerbearing $\phi 90 - \phi 94$ mm	1
2	M05-206	L-ring $\phi 90 \phi 93.5 \phi 110$	4
3	M01-232	Roller $\phi 10 \times 44$ mm	62
4	M03-225	Delrin Lockring $\phi 113,5 \times \phi 96 \times 1,75$ mm	2
5	M07-173	Washer $\phi 90.5 \phi 128$	1

DWG NR / NAME:

41090 / Lower roller bearing

BATCH NR:

PROJECT: Shaft $\phi 90$ mm, Max working load 8900kg

REKV.NR / ORDRE NR:

DATE: 16-06-2009

NAME: JR

SCALE / PAPER: 1:2.5 / A4

MATERIAL: WEIGHT: g

LOCATION:

ORDRE DATO:

MODIFY DATE: : /

REV:

LEV.DATO:



JEFA MARINE A/S
 NIMBUSVEJ 2
 2670 GREVE, DENMARK

Tlf: +45 4615 5210 & Fax: +45 46155208
 Email: info@jefa.com www.jefa.com