

1

2

3

2

4

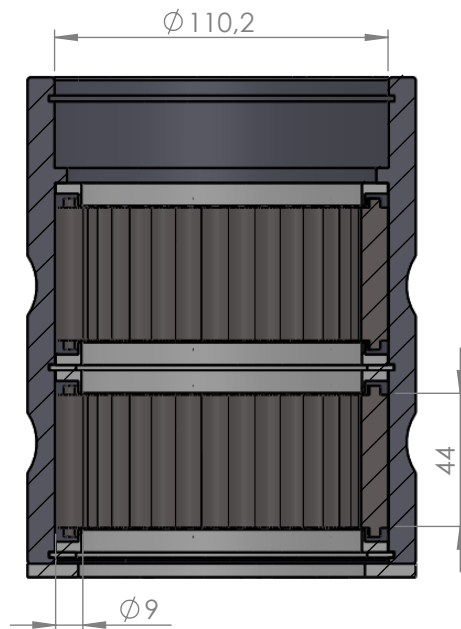
2

3

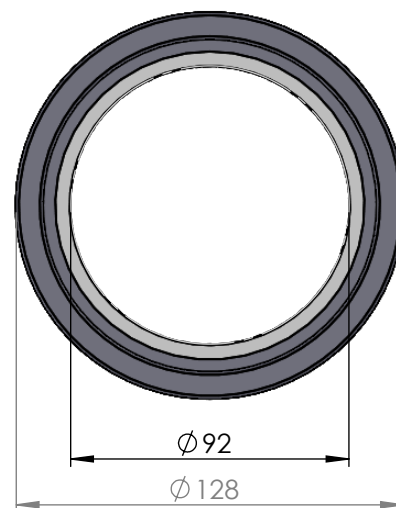
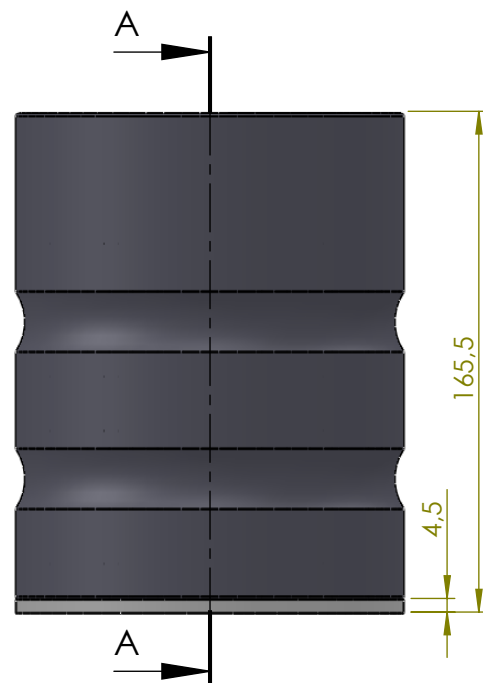
2

4

5



SECTION A-A



ITEM NO.	PART NUMBER	PART NAME	EXPL /QTY
1	M21-113	Rollerbearing $\varnothing 90 - \varnothing 94\text{mm}$	1
2	M05-212	L-ring $\varnothing 92 \varnothing 94,5 \varnothing 110$	4
3	M01-216	Roller $\varnothing 9 \times 44\text{mm}$	70
4	M03-225	Delrin Lockring $\varnothing 113,5 \times \varnothing 96 \times 1,75\text{mm}$	2
5	M07-176	Washer $\varnothing 94,5 \varnothing 128$	1

DWG NR / NAME:

41092 / Lower roller bearing

BATCH NR:

PROJECT:

Shaft $\varnothing 92\text{mm}$, max working load 8900kg

REKV.NR / ORDRE NR:

DATE:

16-06-2009

NAME:

JR

SCALE / PAPER:

1:2.5 / A4

MATERIAL:

WEIGHT:

g

LOCATION:

REV:

ORDRE DATO:

LEV.DATO:

Jefa Rudder
SYSTEMS

JEFA MARINE A/S
NIMBUSVEJ 2
2670 GREVE, DENMARK

Tlf: +45 4615 5210 & Fax: +45 46155208
Email: info@jefa.com www.jefa.com

MODIFY DATE:

: /