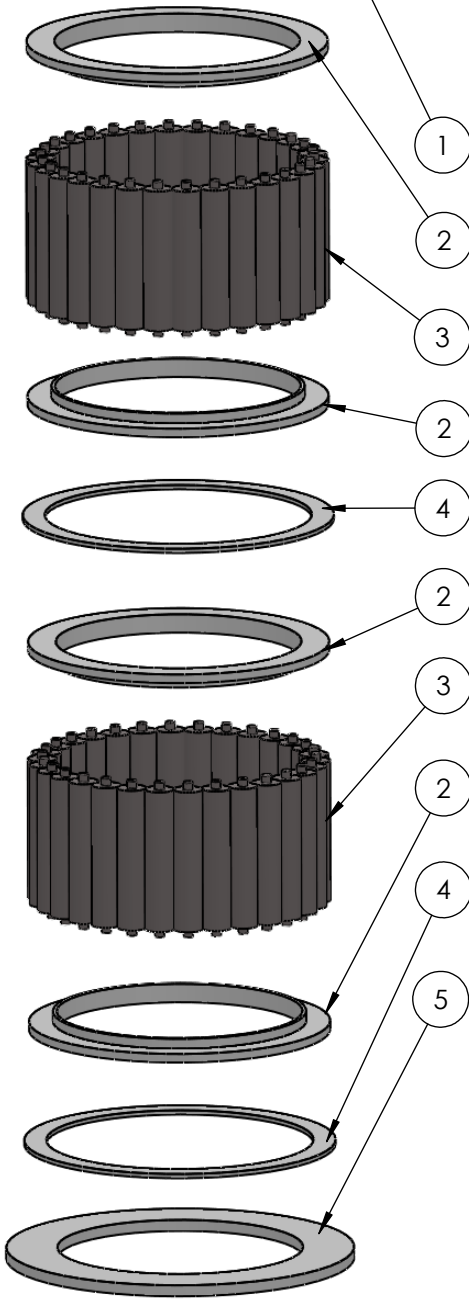
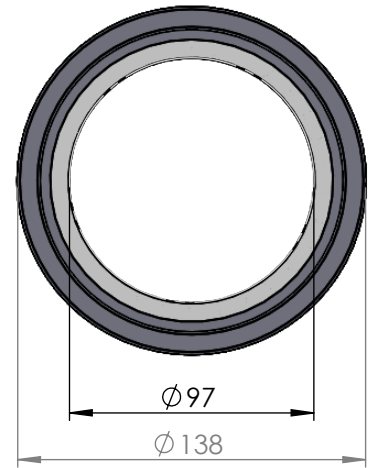


SECTION A-A
SCALE 1 : 3



ITEM NO.	PART NUMBER	PART NAME	EXPL /QTY
1	M21-115	Rollerbearing $\phi 95 - \phi 104$ mm	1
2	M05-230	L-ring $\phi 97 \phi 100.5 \phi 120$	4
3	M01-356	Roller $\phi 11.5 \times 57$ mm	60
4	M03-232	Delrin Lockring $\phi 123,5 \times \phi 106 \times 1,75$ mm	2
5	M07-182	Washer $\phi 97.5 \phi 138$	1

DWG NR / NAME:

41097 / Lower roller bearing

BATCH NR:

PROJECT:
Shaft $\phi 97$ mm, max working load 12800kg

REKV.NR / ORDRE NR:

DATE:
23-06-2009

NAME:
JR

SCALE / PAPER:
1:2.5 / A4

MATERIAL:
WEIGHT: g

LOCATION:

ORDRE DATO:

MODIFY DATE:

REV:

LEV.DATO:

Jefa Rudder
SYSTEMS

JEFA MARINE A/S
NIMBUSVEJ 2
2670 GREVE. DENMARK

Tlf: +45 4615 5210 & Fax: +45 46155208
Email: info@jefa.com www.jefa.com

: /