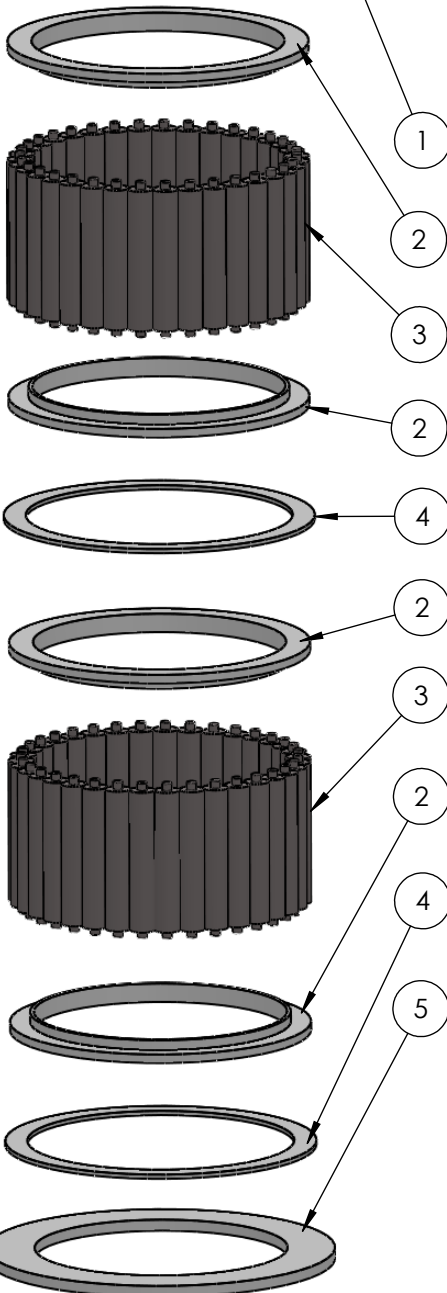


SECTION A-A
SCALE 1 : 3



| ITEM NO. | PART NUMBER | PART NAME | EXPL /QTY |
|----------|-------------|---|-----------|
| 1 | M21-115 | Rollerbearing $\varnothing 95 - \varnothing 104\text{mm}$ | 1 |
| 2 | M05-242 | L-ring $\varnothing 100 \varnothing 103.5 \varnothing 120$ | 4 |
| 3 | M01-332 | Roller $\varnothing 10.0 \times 57\text{mm}$ | 70 |
| 4 | M03-232 | Delrin Lockring $\varnothing 123,5 \times \varnothing 106 \times 1,75\text{mm}$ | 2 |
| 5 | M07-185 | Washer $\varnothing 100.5 \varnothing 138$ | 1 |

DWG NR / NAME:

41100 / Lower roller bearing

BATCH NR:

PROJECT:
Shaft $\varnothing 100\text{mm}$, max working load 12800kg

REKV.NR / ORDRE NR:

DATE:
23-06-2009

NAME:
JR

SCALE / PAPER:
1:2.5 / A4

MATERIAL:
WEIGHT: g

LOCATION:

ORDRE DATO:

MODIFY DATE:

REV:

LEV.DATO:

Jefa Rudder
SYSTEMS

JEFA MARINE A/S
NIMBUSVEJ 2
2670 GREVE, DENMARK

Tlf: +45 4615 5210 & Fax: +45 46155208
Email: info@jefa.com www.jefa.com

: /