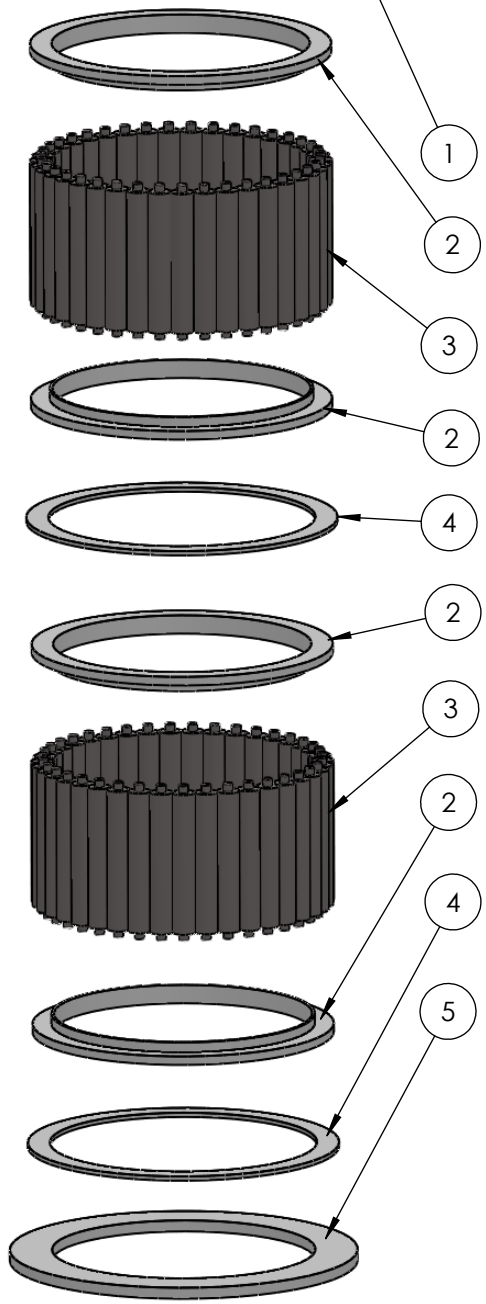
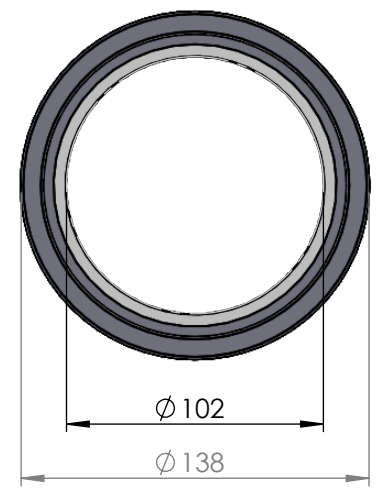


SECTION A-A  
SCALE 1 : 3



ITEM NO.	PART NUMBER	PART NAME	EXPL /QTY
1	M21-115	Rollerbearing $\phi 95 - \phi 104\text{mm}$	1
2	M05-248	L-ring $\phi 102 \phi 104.5 \phi 120$	4
3	M01-316	Roller $\phi 9.0 \times 57\text{mm}$	78
4	M03-232	Delrin Lockring $\phi 123,5 \times \phi 106 \times 1,75\text{mm}$	2
5	M07-188	Washer $\phi 104.5 \phi 138$	1

DWG NR / NAME:

### 41102 / Lower roller bearing

BATCH NR:

PROJECT:  
Shaft  $\phi 102\text{mm}$ , max working load 12800kg

REKV.NR / ORDRE NR:

DATE:  
23-06-2009

NAME:  
JR

SCALE / PAPER:  
1:2.5 / A4

MATERIAL:  
WEIGHT: g

LOCATION:

ORDRE DATO:

MODIFY DATE:  
: /

REV:

LEV.DATO:



JEFA MARINE A/S  
NIMBUSVEJ 2  
2670 GREVE. DENMARK

Tlf: +45 4615 5210 & Fax: +45 46155208  
Email: info@jefa.com www.jefa.com