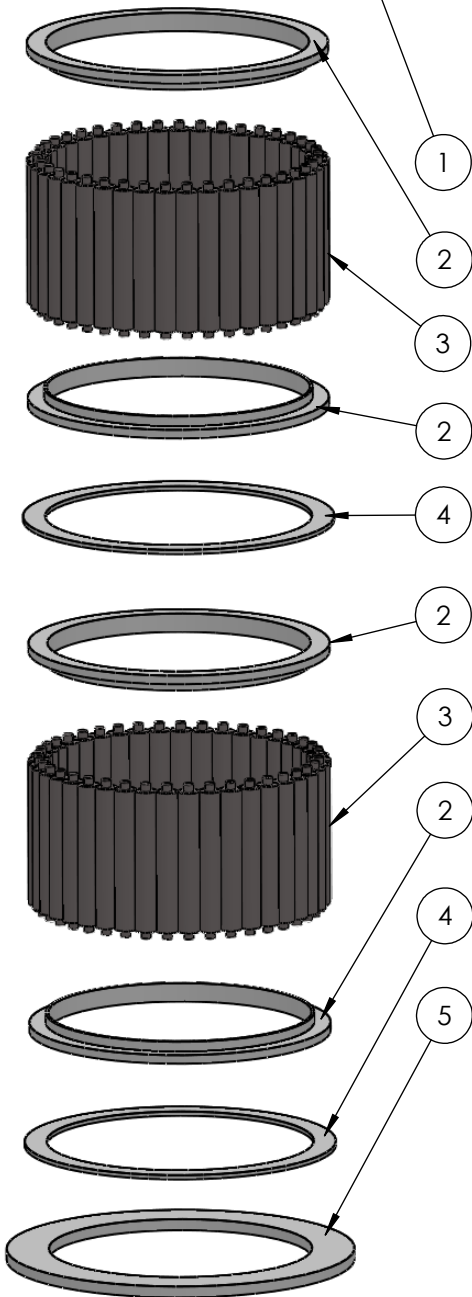
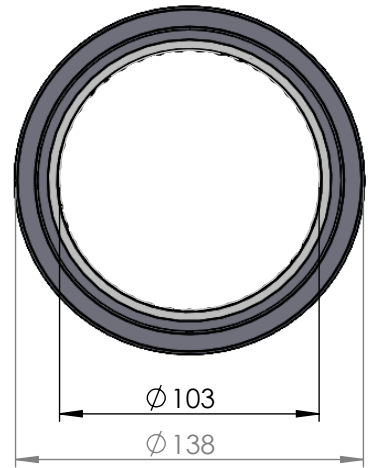


SECTION A-A  
SCALE 1 : 3



ITEM NO.	PART NUMBER	PART NAME	EXPL /QTY
1	M21-115	Rollerbearing $\varnothing 95 - \varnothing 104\text{mm}$	1
2	M05-254	L-ring $\varnothing 104 \varnothing 106.5 \varnothing 120$	4
3	M01-308	Roller $\varnothing 8.5 \times 57\text{mm}$	82
4	M03-232	Delrin Lockring $\varnothing 123,5 \times \varnothing 106 \times 1,75\text{mm}$	2
5	M07-188	Washer $\varnothing 104.5 \varnothing 138$	1

DWG NR / NAME:

### 41103 / Lower roller bearing

BATCH NR:

PROJECT:  
Shaft  $\varnothing 103\text{mm}$ , max working load 12800kg

REKV.NR / ORDRE NR:

DATE:  
23-06-2009

NAME:  
JR

SCALE / PAPER:  
1:2.5 / A4

MATERIAL:  
WEIGHT: g

LOCATION:

ORDRE DATO:

MODIFY DATE:

REV:

LEV.DATO:

*Jefa Rudder*  
SYSTEMS

JEFA MARINE A/S  
NIMBUSVEJ 2  
2670 GREVE, DENMARK

Tlf: +45 4615 5210 & Fax: +45 4615 5208  
Email: info@jefa.com www.jefa.com

: /