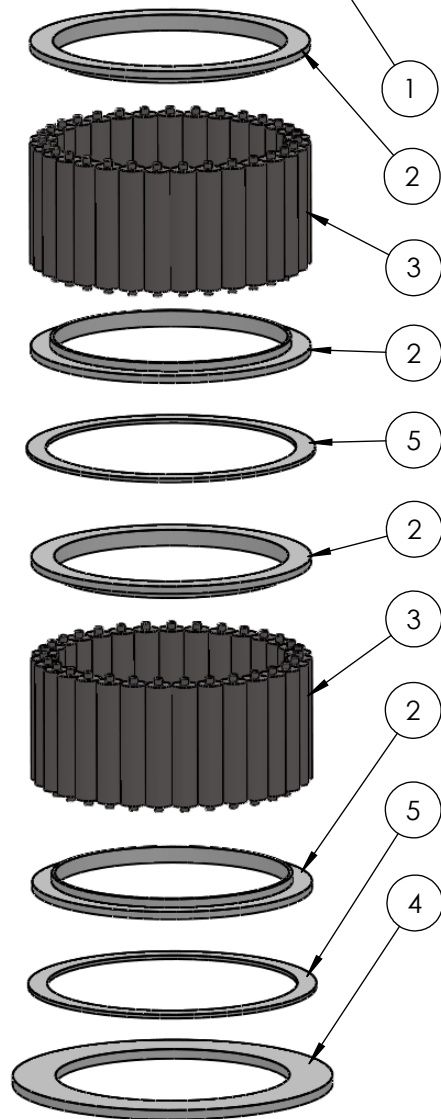
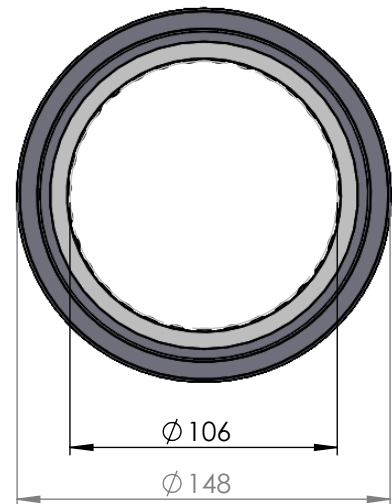
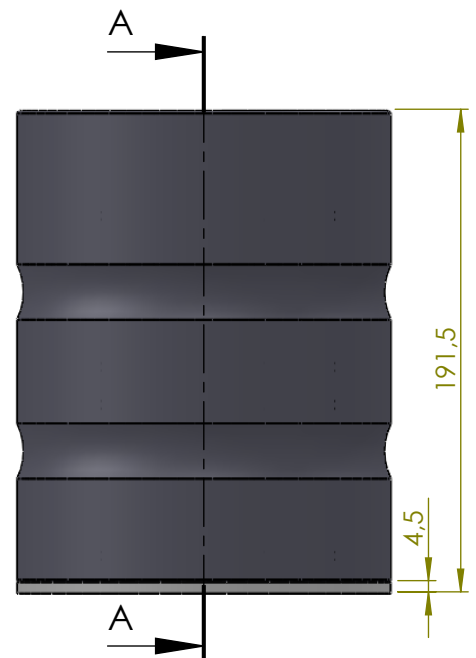


SECTION A-A



ITEM NO.	PART NUMBER	PART NAME	EXPL /QTY
1	M21-117	Rollerbearing $\varnothing 105 - \varnothing 114\text{mm}$	1
2	M05-263	L-ring $\varnothing 108 \varnothing 111.5 \varnothing 130$	4
3	M01-364	Roller $\varnothing 12.0 \times 57\text{mm}$	62
4	M07-194	Washer $\varnothing 108.5 \varnothing 148$	1
5	M03-270	Delrin Lockring $\varnothing 133,5 \times \varnothing 116 \times 1,75\text{mm}$	2

DWG NR / NAME:

41106 / Lower roller bearing

BATCH NR:

PROJECT:

Shaft $\varnothing 106\text{mm}$, max working load 14000kg

REKV.NR / ORDRE NR:

DATE:
23-06-2009NAME:
JRSCALE / PAPER:
1:3 / A4MATERIAL:
WEIGHT: g

LOCATION:

ORDRE DATO:

MODIFY DATE:

: /

REV:

LEV.DATO:

Jefa Rudder
SYSTEMS

JEFA MARINE A/S
NIMBUSVEJ 2
2670 GREVE, DENMARK

Tlf: +45 4615 5210 & Fax: +45 46155208
Email: info@jefa.com www.jefa.com