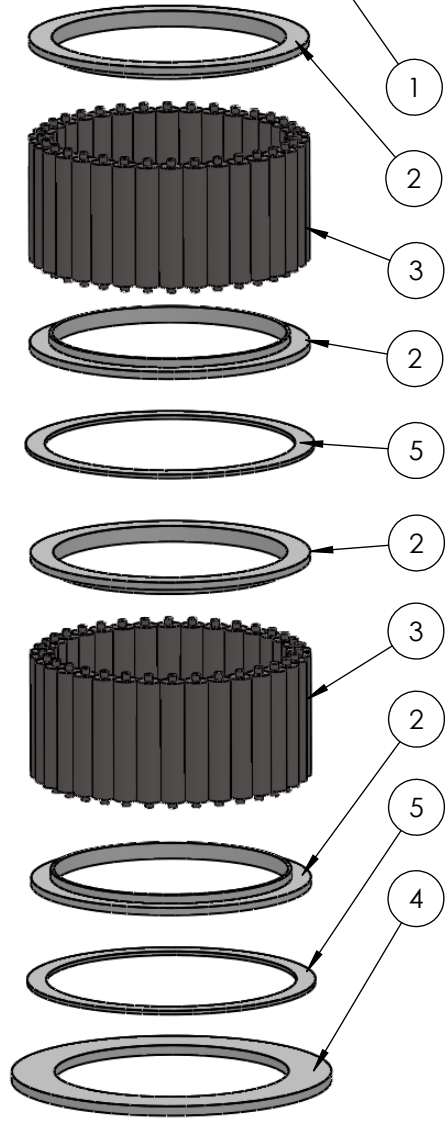
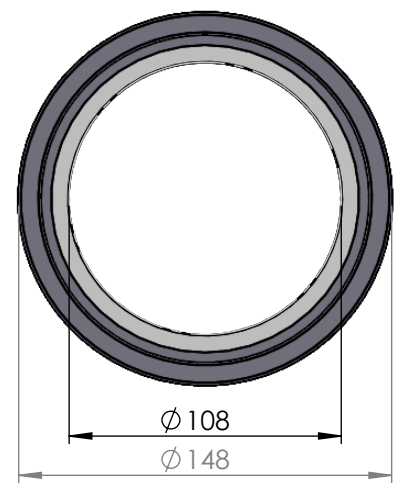


SECTION A-A



ITEM NO.	PART NUMBER	PART NAME	EXPL /QTY
1	M21-117	Rollerbearing $\phi 105 - \phi 114$ mm	1
2	M05-263	L-ring $\phi 108 \phi 111.5 \phi 130$	4
3	M01-348	Roller $\phi 11.0 \times 57$ mm	68
4	M07-194	Washer $\phi 108.5 \phi 148$	1
5	M03-270	Delrin Lockring $\phi 133,5 \times \phi 116 \times 1,75$ mm	2

DWG NR / NAME:

41108 / Lower roller bearing

BATCH NR:

PROJECT:
Shaft $\phi 108$ mm, max working load 14000kg

REKV.NR / ORDRE NR:

DATE:
23-06-2009

NAME:
JR

SCALE / PAPER:
1:3 / A4

MATERIAL:
WEIGHT: g

LOCATION:

ORDRE DATO:

MODIFY DATE:
: /

REV:

LEV.DATO:

Jefa Rudder
SYSTEMS
JEFA MARINE A/S
NIMBUSVEJ 2
2670 GREVE, DENMARK
Tlf: +45 4615 5210 & Fax: +45 4615 5208
Email: info@jefa.com www.jefa.com