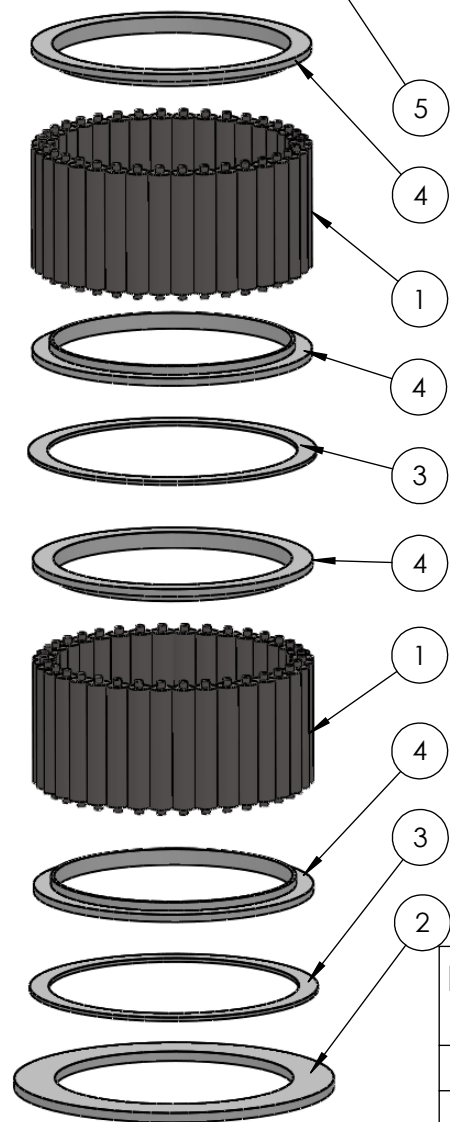
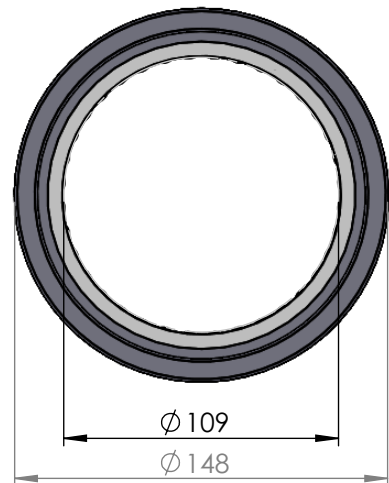


SECTION A-A



ITEM NO.	PART NUMBER	PART NAME	EXPL /QTY
1	M01-340	Roller $\varnothing 10.5 \times 57$ mm	72
2	M07-197	Washer $\varnothing 110.5 \varnothing 148$	1
3	M03-270	Delrin Lockring $\varnothing 133,5 \times \varnothing 116 \times 1,75$ mm	2
4	M05-269	L-ring $\varnothing 110 \varnothing 113.5 \varnothing 130$	4
5	M21-117	Rollerbearing $\varnothing 105 - \varnothing 114$ mm	1

DWG NR / NAME:

### 41109 / Lower roller bearing

BATCH NR:

PROJECT:

Shaft  $\varnothing 109$ mm, max working load 14000kg

REKV.NR / ORDRE NR:

DATE:  
23-06-2009

NAME:  
JR

SCALE / PAPER:  
1:3 / A4

MATERIAL:  
WEIGHT: g

LOCATION:

ORDRE DATO:

MODIFY DATE:

REV:

LEV.DATO:

*Jefa Rudder*  
SYSTEMS

JEFA MARINE A/S  
NIMBUSVEJ 2  
2670 GREVE. DENMARK

Tlf: +45 4615 5210 & Fax: +45 46155208  
Email: info@jefa.com www.jefa.com

: /