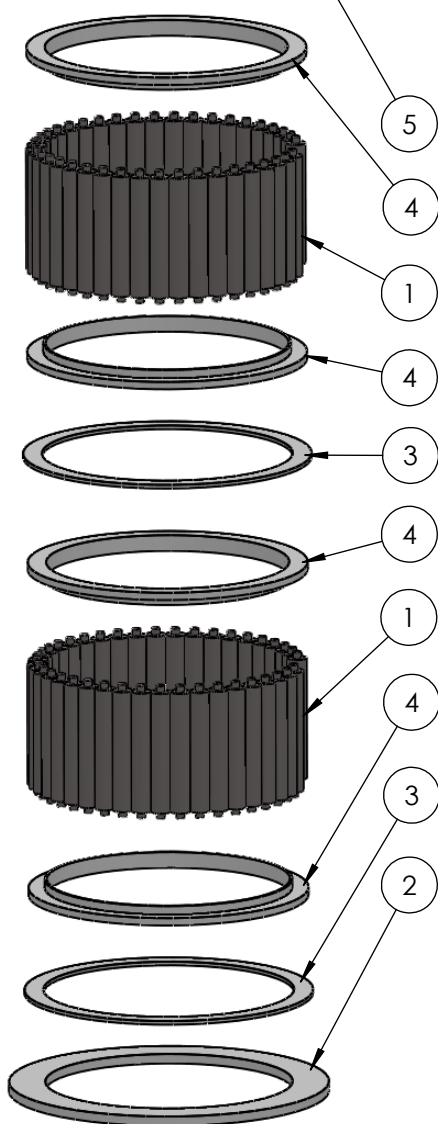
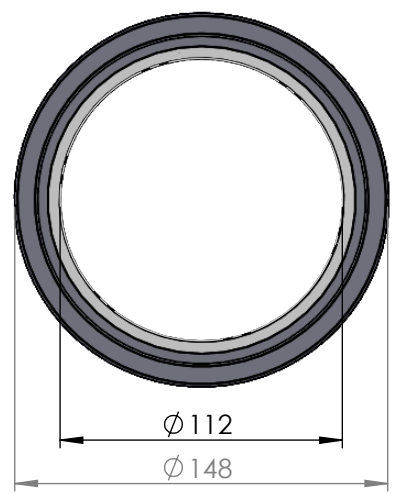


SECTION A-A



ITEM NO.	PART NUMBER	PART NAME	EXPL /QTY
1	M01-316	Roller $\varnothing 9.0 \times 57\text{mm}$	84
2	M07-200	Washer $\varnothing 114.5 \varnothing 148$	1
3	M03-270	Delrin Lockring $\varnothing 133,5 \times \varnothing 116 \times 1,75\text{mm}$	2
4	M05-275	L-ring $\varnothing 112 \varnothing 114.5 \varnothing 130$	4
5	M21-117	Rollerbearing $\varnothing 105 - \varnothing 114\text{mm}$	1

DWG NR / NAME:

41112 / Lower roller bearing

BATCH NR:

PROJECT:
Shaft $\varnothing 112\text{mm}$, max working load 14000kg

REKV.NR / ORDRE NR:

DATE:
23-06-2009

NAME:
JR

SCALE / PAPER:
1:3 / A4

MATERIAL:
WEIGHT: g

LOCATION:

ORDRE DATO:

MODIFY DATE:
: /

REV:

LEV.DATO:



JEFA MARINE A/S
NIMBUSVEJ 2
2670 GREVE, DENMARK

Tlf: +45 4615 5210 & Fax: +45 4615208
Email: info@jefa.com www.jefa.com