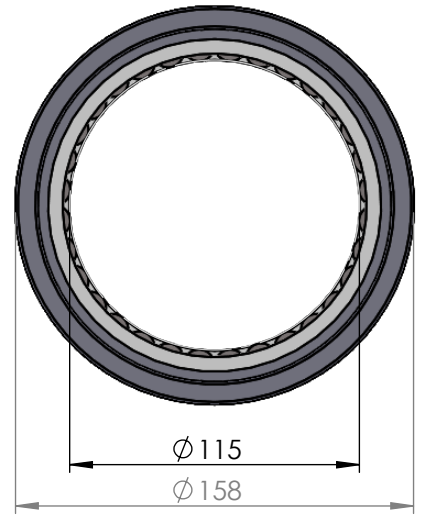
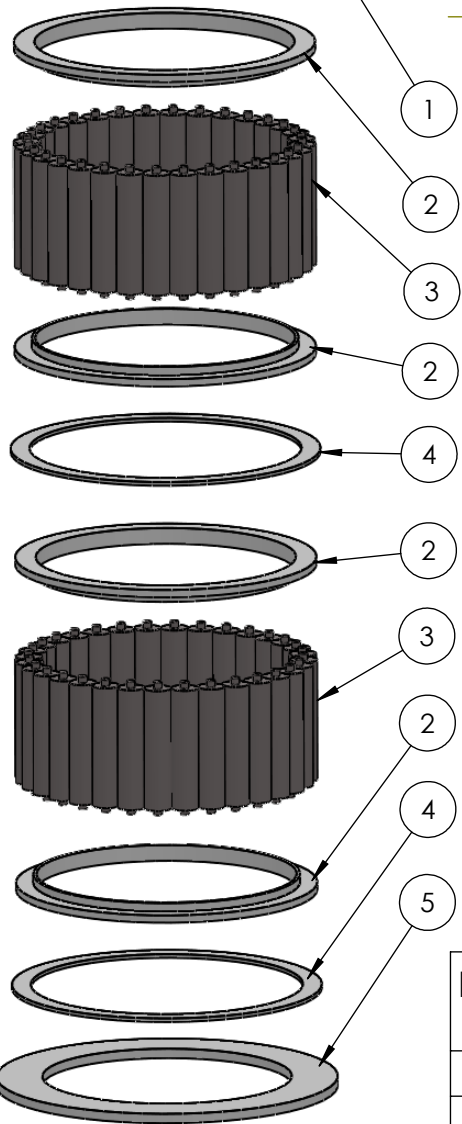


SECTION A-A



ITEM NO.	PART NUMBER	PART NAME	EXPL /QTY
1	M21-119	Rollerbearing $\varnothing 115 - \varnothing 124$ mm	1
2	M05-290	L-ring $\varnothing 120 \varnothing 123.5 \varnothing 140$	4
3	M01-372	Roller $\varnothing 12.5 \times 57$ mm	64
4	M03-280	Delrin Lockring $\varnothing 143,5 \times \varnothing 126 \times 1,75$ mm	2
5	M07-203	Washer $\varnothing 115.5 \varnothing 158$	1

DWG NR / NAME:

41115 / Lower roller bearing

BATCH NR:

PROJECT:
Shaft $\varnothing 115$ mm, max working load 15300kg

REKV.NR / ORDRE NR:

DATE:
23-06-2009
MODIFY DATE:

NAME:
JR

SCALE / PAPER:
1:3 / A4

MATERIAL:
WEIGHT: g

LOCATION:

ORDRE DATO:

LEV.DATO:

Jefa Rudder
SYSTEMS

JEFA MARINE A/S
NIMBUSVEJ 2
2670 GREVE, DENMARK

Tlf: +45 4615 5210 & Fax: +45 46155208
Email: info@jefa.com www.jefa.com

: /