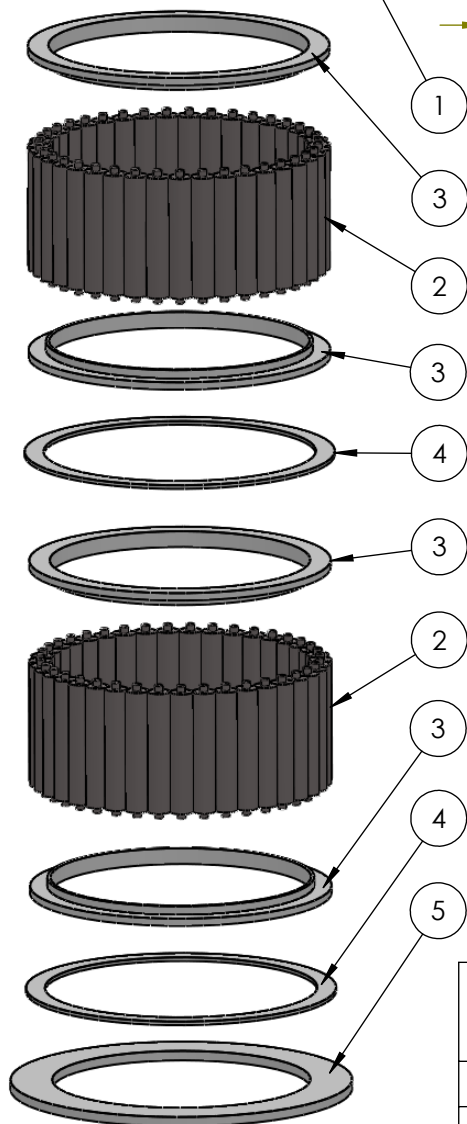
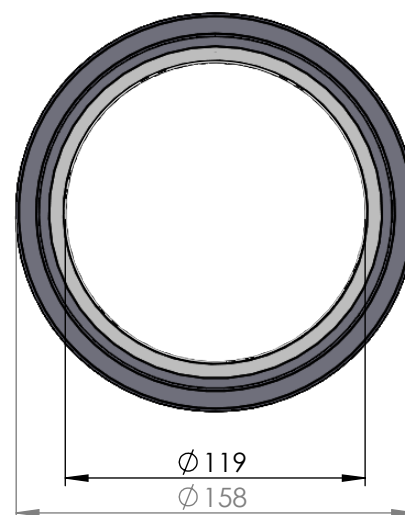
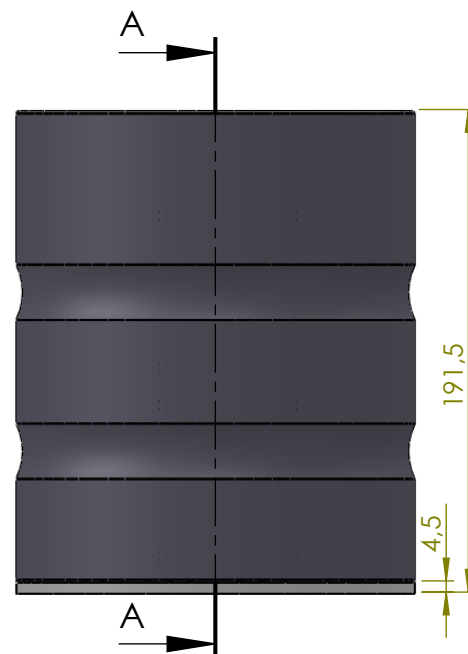


SECTION A-A



ITEM NO.	PART NUMBER	PART NAME	EXPL /QTY
1	M21-119	Rollerbearing $\varnothing 115 - \varnothing 124$ mm	1
2	M01-340	Roller $\varnothing 10,5 \times 57$ mm	78
3	M05-290	L-ring $\varnothing 120 \varnothing 123,5 \varnothing 140$	4
4	M03-280	Delrin Lockring $\varnothing 143,5 \times \varnothing 126 \times 1,75$ mm	2
5	M07-206	Washer $\varnothing 119,5 \varnothing 158$	1

DWG NR / NAME:

41119 / Lower roller bearing

BATCH NR:

PROJECT:

Shaft $\varnothing 119$ mm, max working load 15300kg

REKV.NR / ORDRE NR:

DATE:

23-06-2009

NAME:

JR

SCALE / PAPER:

1:3 / A4

MATERIAL:

WEIGHT:

g

LOCATION:

REV:

ORDRE DATO:

LEV.DATO:

Jefa Rudder
SYSTEMS

JEFA MARINE A/S
NIMBUSVEJ 2
2670 GREVE, DENMARK

Tlf: +45 4615 5210 & Fax: +45 4615208
Email: info@jefa.com www.jefa.com

MODIFY DATE:

: /