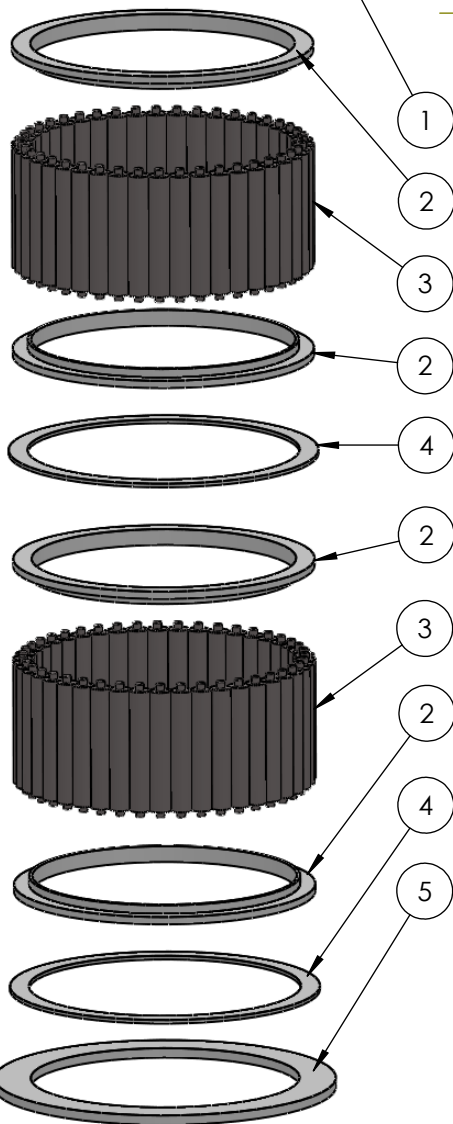
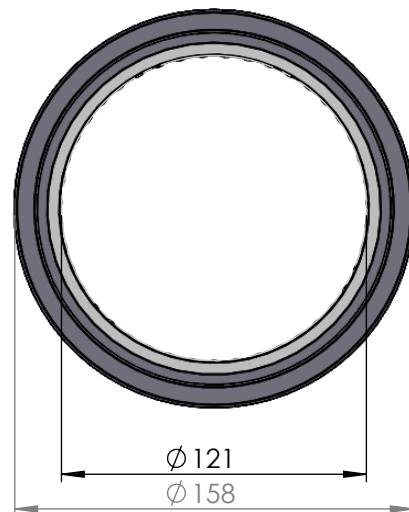
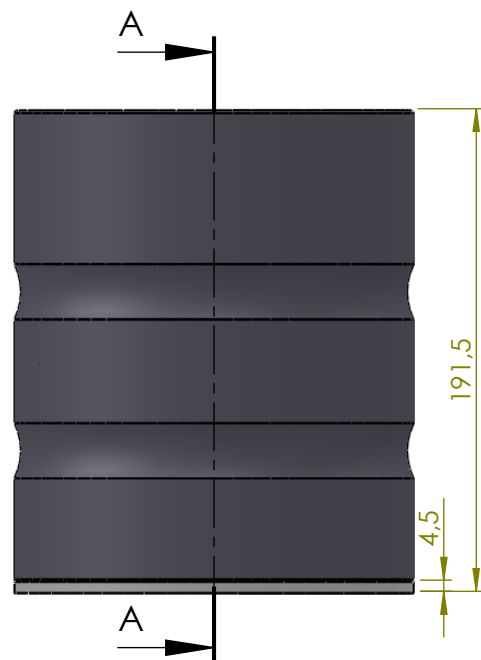


SECTION A-A



ITEM NO.	PART NUMBER	PART NAME	EXPL /QTY
1	M21-119	Rollerbearing $\phi 115 - \phi 124\text{mm}$	1
2	M05-294	L-ring $\phi 122 \phi 123.5 \phi 140$	4
3	M01-324	Roller $\phi 9.5 \times 57\text{mm}$	86
4	M03-280	Delrin Lockring $\phi 143,5 \times \phi 126 \times 1,75\text{mm}$	2
5	M07-212	Washer $\phi 124.5 \phi 158$	1

DWG NR / NAME:

41121 / Lower roller bearing

BATCH NR:

PROJECT:

Shaft $\phi 121\text{mm}$, max working load 15300kg

REKV.NR / ORDRE NR:

DATE:

23-06-2009

NAME:

JR

SCALE / PAPER:

1:3 / A4

MATERIAL:

WEIGHT:

g

LOCATION:

REV:

ORDRE DATO:

LEV.DATO:

Jefa Rudder
SYSTEMS

JEFA MARINE A/S
NIMBUSVEJ 2
2670 GREVE, DENMARK

Tlf: +45 4615 5210 & Fax: +45 46155208
Email: info@jefa.com www.jefa.com

: /