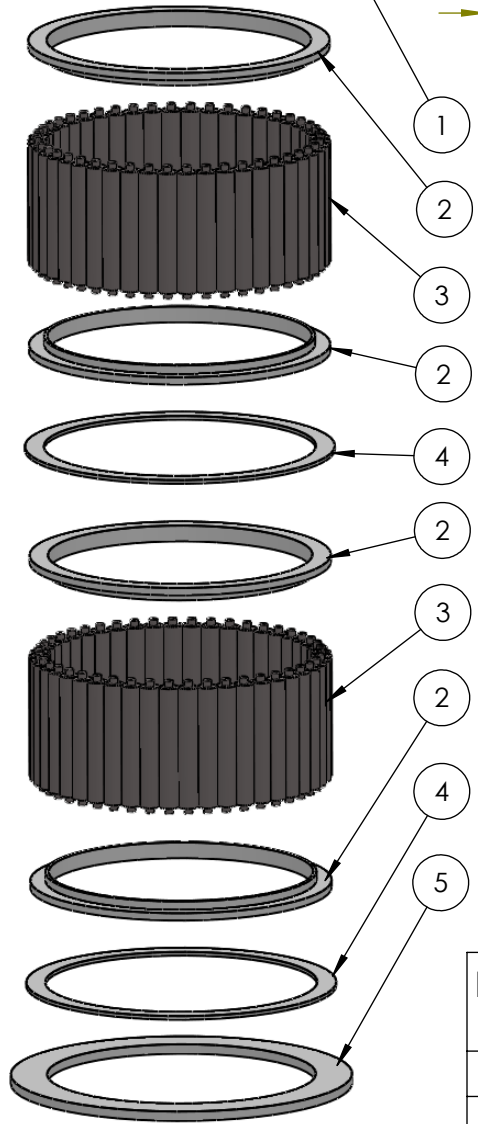
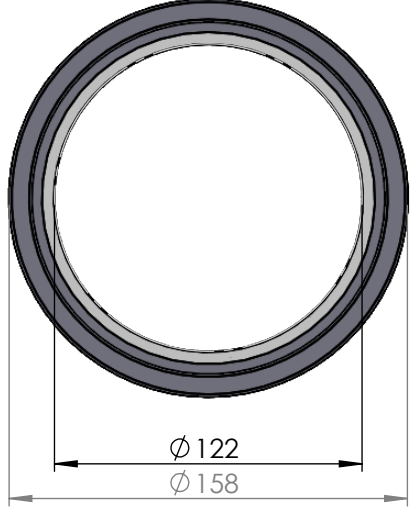


SECTION A-A



ITEM NO.	PART NUMBER	PART NAME	EXPL /QTY
1	M21-119	Rollerbearing $\phi 115 - \phi 124$ mm	1
2	M05-294	L-ring $\phi 122 \phi 123.5 \phi 140$	4
3	M01-316	Roller $\phi 9.0 \times 57$ mm	92
4	M03-280	Delrin Lockring $\phi 143,5 \times \phi 126 \times 1,75$ mm	2
5	M07-212	Washer $\phi 124.5 \phi 158$	1

DWG NR / NAME:

### 41122 / Lower roller bearing

BATCH NR:

PROJECT:  
Shaft  $\phi 122$ mm, max working load 15300kg

REKV.NR / ORDRE NR:

DATE:  
23-06-2009

NAME:  
JR

SCALE / PAPER:  
1:3 / A4

MATERIAL:  
WEIGHT: g

LOCATION:

ORDRE DATO:

MODIFY DATE:  
: /

REV:

LEV.DATO:



JEFA MARINE A/S  
NIMBUSVEJ 2  
2670 GREVE, DENMARK

Tlf: +45 4615 5210 & Fax: +45 46155208  
Email: info@jefa.com www.jefa.com