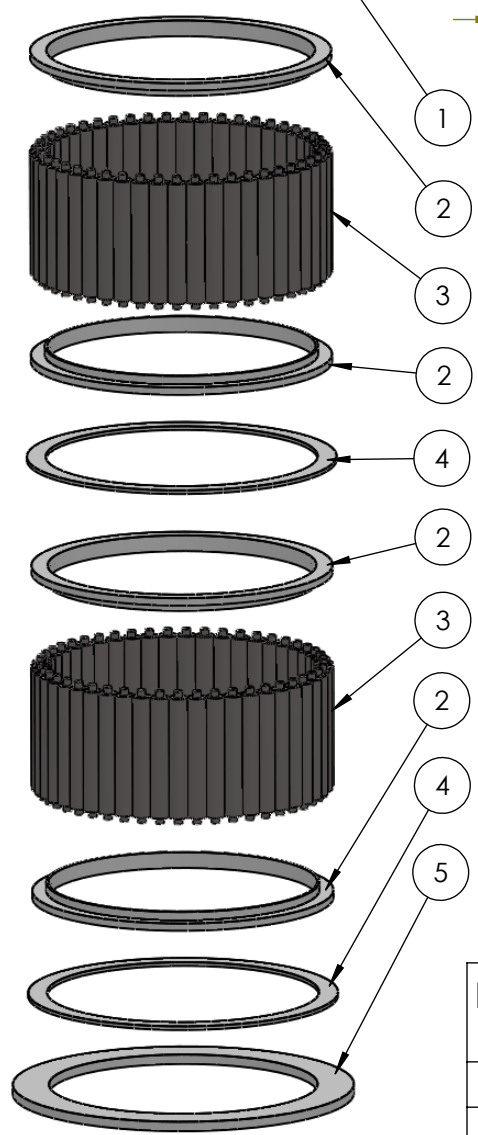


SECTION A-A



ITEM NO.	PART NUMBER	PART NAME	EXPL /QTY
1	M21-119	Rollerbearing $\phi 115 - \phi 124$ mm	1
2	M05-299	L-ring $\phi 124 \phi 126.5 \phi 140$	4
3	M01-308	Roller $\phi 8.5 \times 57$ mm	96
4	M03-280	Delrin Lockring $\phi 143,5 \times \phi 126 \times 1,75$ mm	2
5	M07-212	Washer $\phi 124.5 \phi 158$	1

DWG NR / NAME:

41123 / Lower roller bearing

BATCH NR:

PROJECT:
Shaft $\phi 123$ mm, max working load 15300kg

REKV.NR / ORDRE NR:

DATE:
23-06-2009

NAME:
JR

SCALE / PAPER:
1:3 / A4

MATERIAL:
WEIGHT: g

LOCATION:

ORDRE DATO:

MODIFY DATE:
: /

REV:

LEV.DATO:



JEFA MARINE A/S
NIMBUSVEJ 2
2670 GREVE. DENMARK

Tlf: +45 4615 5210 & Fax: +45 4615208
Email: info@jefa.com www.jefa.com