

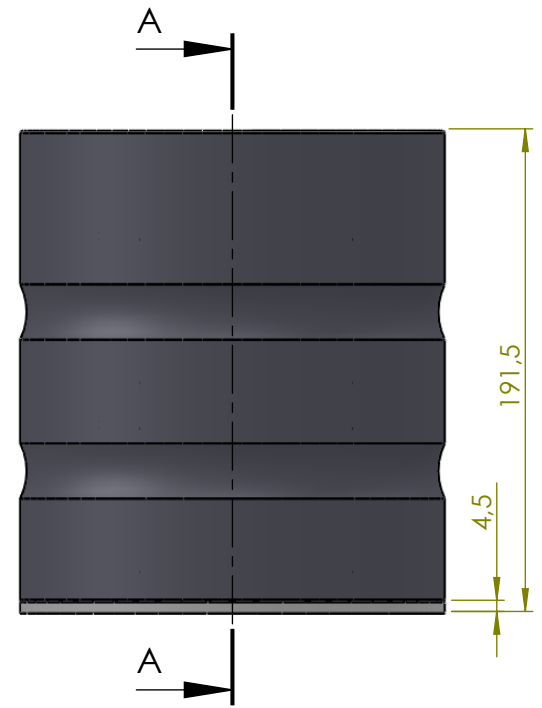
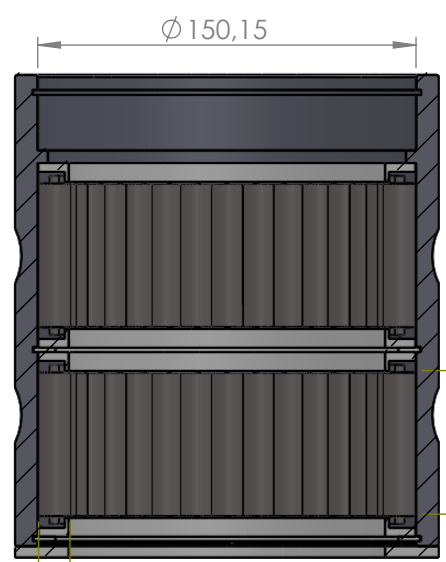
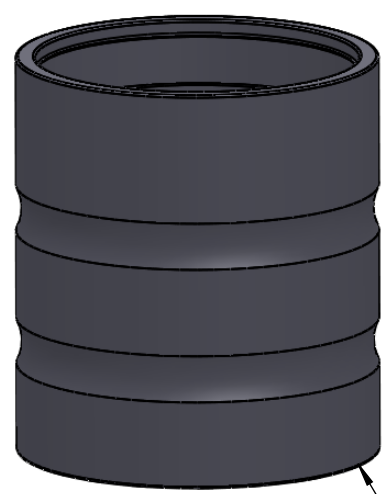
A

B

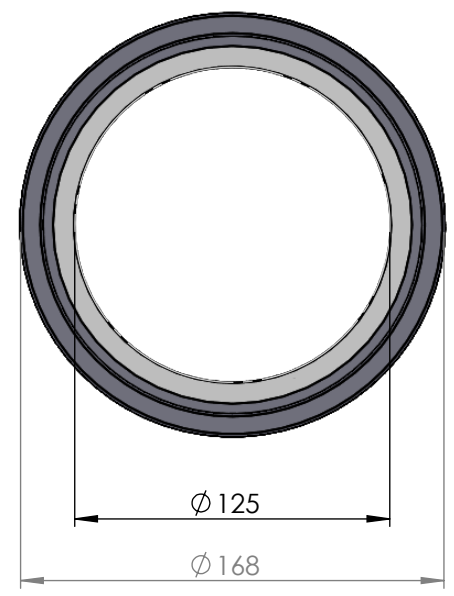
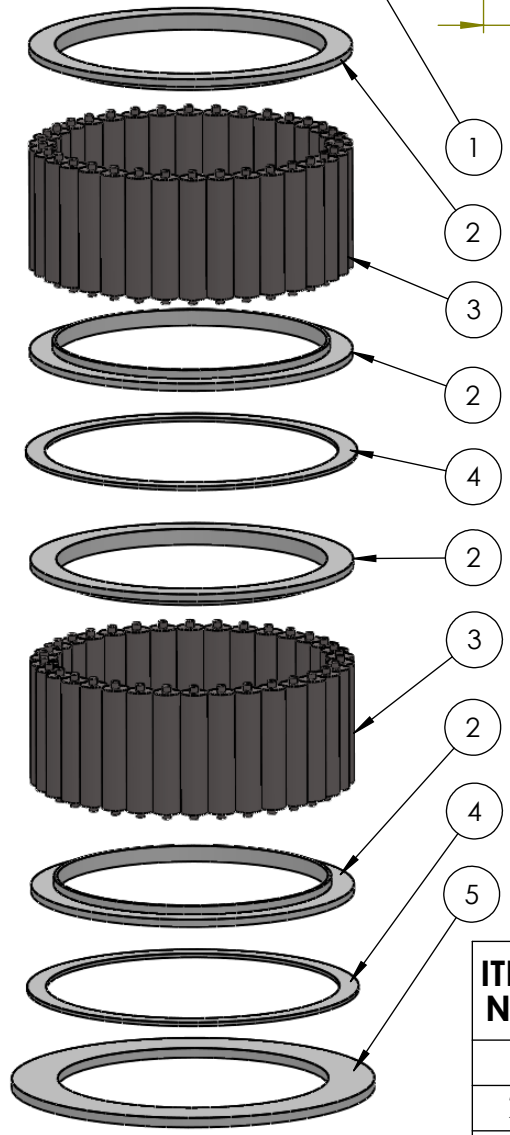
C

D

E



$\varnothing 12,5$   
SECTION A-A



ITEM NO.	PART NUMBER	PART NAME	EXPL /QTY
1	M21-121	Rollerbearing $\varnothing 125 - \varnothing 134$ mm	1
2	M05-305	L-ring $\varnothing 125 \varnothing 128.5 \varnothing 150$	4
3	M01-372	Roller $\varnothing 12.5 \times 57$ mm	68
4	M03-290	Delrin Lockring $\varnothing 153,5 \times \varnothing 136 \times 1,75$ mm	2
5	M07-215	Washer $\varnothing 125.5 \varnothing 168$	1

DWG NR / NAME:

### 41125 / Lower roller bearing

BATCH NR:

PROJECT:  
Shaft  $\varnothing 125$ mm, max working load 16600kg

REKV.NR / ORDRE NR:

DATE:  
23-06-2009

NAME:  
JR

SCALE / PAPER:  
1:3 / A4

MATERIAL:  
WEIGHT: g

LOCATION:

ORDRE DATO:

MODIFY DATE:  
: /

REV:

LEV.DATO:



JEFA MARINE A/S  
NIMBUSVEJ 2  
2670 GREVE, DENMARK

Tlf: +45 4615 5210 & Fax: +45 4615208  
Email: info@jefa.com www.jefa.com