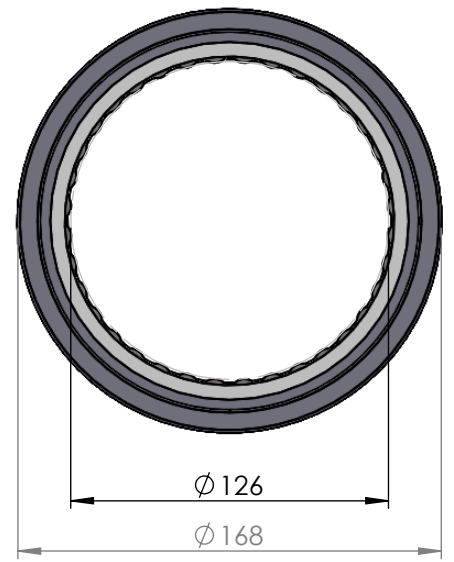
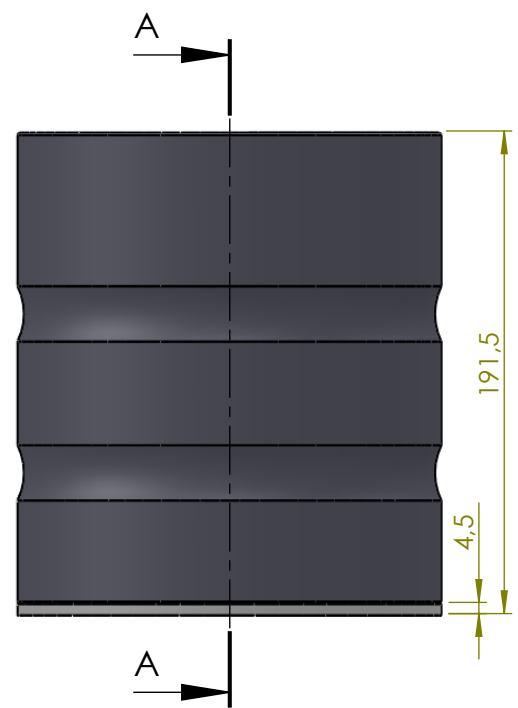


SECTION A-A



| ITEM NO. | PART NUMBER | PART NAME | EXPL /QTY |
|----------|-------------|---|-----------|
| 1 | M21-121 | Rollerbearing $\phi 125 - \phi 134$ mm | 1 |
| 2 | M05-314 | L-ring $\phi 130 \phi 133.5 \phi 150$ | 4 |
| 3 | M01-364 | Roller $\phi 12.0 \times 57$ mm | 72 |
| 4 | M03-290 | Delrin Lockring $\phi 153,5 \times \phi 136 \times 1,75$ mm | 2 |
| 5 | M07-218 | Washer $\phi 128.5 \phi 168$ | 1 |

DWG NR / NAME:

41126 / Lower roller bearing

BATCH NR:

PROJECT:
Shaft $\phi 126$ mm, max working load 16600kg

REKV.NR / ORDRE NR:

DATE:
23-06-2009

NAME:
JR

SCALE / PAPER:
1:3 / A4

MATERIAL:
WEIGHT: g

LOCATION:
REV:

ORDRE DATO:

LEV.DATO:



JEFA MARINE A/S
NIMBUSVEJ 2
2670 GREVE, DENMARK

Tlf: +45 4615 5210 & Fax: +45 46155208
Email: info@jefa.com www.jefa.com

: /