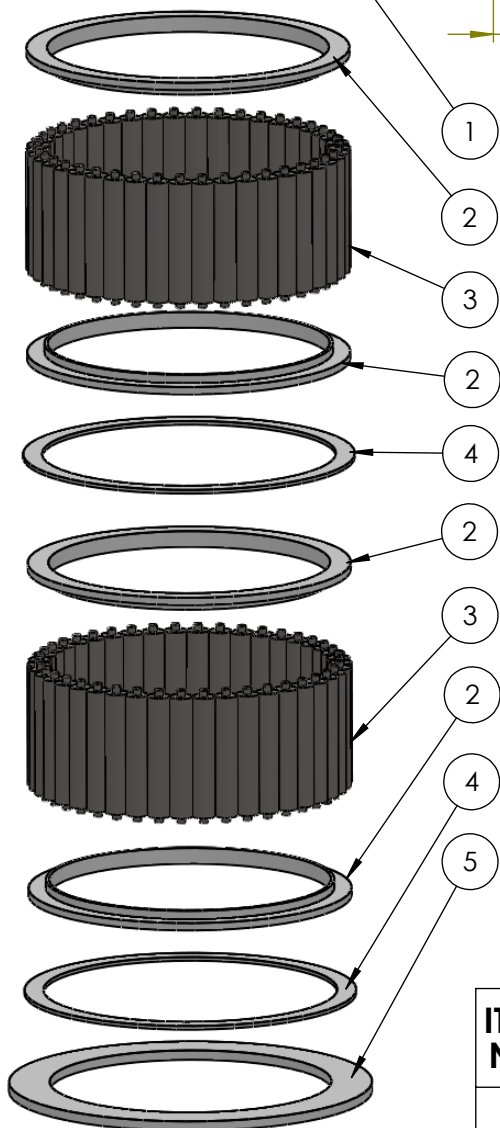
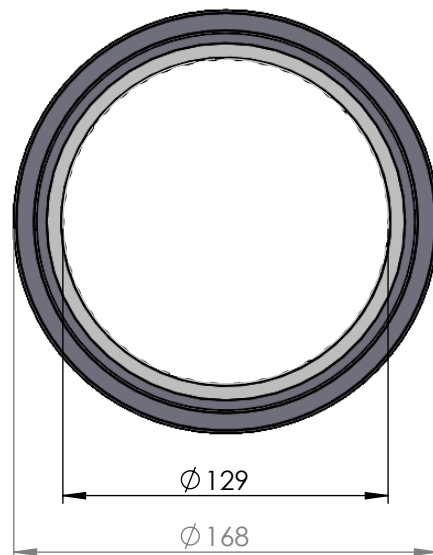
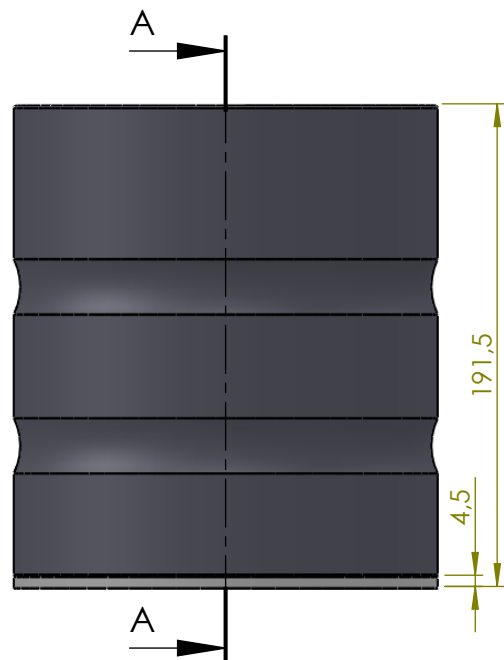


SECTION A-A



ITEM NO.	PART NUMBER	PART NAME	EXPL /QTY
1	M21-121	Rollerbearing $\varnothing 125 - \varnothing 134$ mm	1
2	M05-314	L-ring $\varnothing 130 \varnothing 133,5 \varnothing 150$	4
3	M01-340	Roller $\varnothing 10,5 \times 57$ mm	84
4	M03-290	Delrin Lockring $\varnothing 153,5 \times \varnothing 136 \times 1,75$ mm	2
5	M07-221	Washer $\varnothing 130,5 \varnothing 168$	1

DWG NR / NAME:

41129 / Lower roller bearing

BATCH NR:

PROJECT:

Shaft $\varnothing 129$ mm, max working load 16600kg

REKV.NR / ORDRE NR:

DATE:

23-06-2009

NAME:

JR

SCALE / PAPER:

1:3 / A4

MATERIAL:

WEIGHT:

g

LOCATION:

ORDRE DATO:

MODIFY DATE:

: /

REV:

LEV.DATO:

Jefa Rudder
SYSTEMS

JEFA MARINE A/S
NIMBUSVEJ 2
2670 GREVE, DENMARK

Tlf: +45 4615 5210 & Fax: +45 4615 208
Email: info@jefa.com www.jefa.com