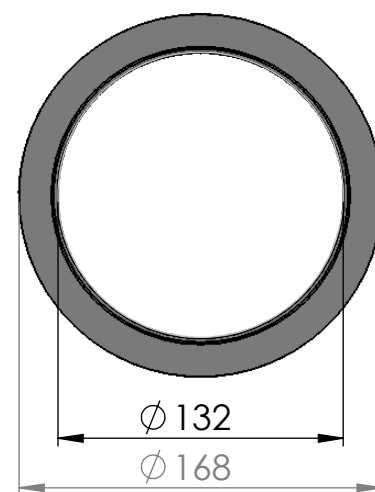
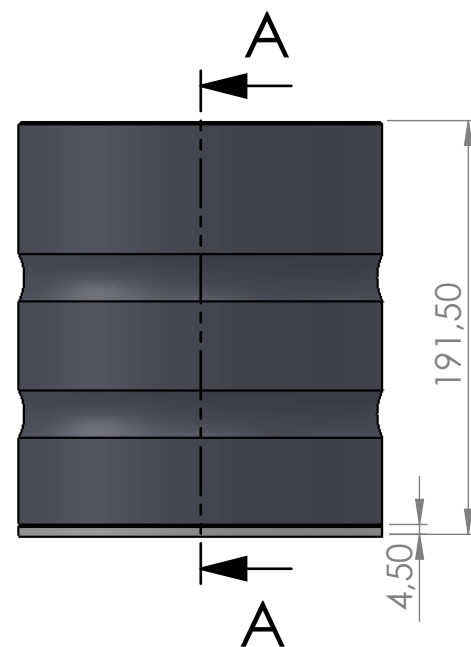


SECTION A-A
SCALE 1 : 3.5



ITEM NO.	PART NUMBER	PART NAME	QTY.
1	M21-121	Rollerbearing $\varnothing 125 - \varnothing 134\text{mm}$	1
2	M05-315	L-ring $\varnothing 132 \varnothing 136 \varnothing 150$	4
3	M01-316	Roller $\varnothing 9.0 \times 57\text{mm}$	98
4	M03-290	Delrin Lockring $\varnothing 153,5 \times \varnothing 136 \times 1,75\text{mm}$	2
5	M07-227	Washer $\varnothing 138 \varnothing 168$	1

DWG NR / NAME:

41132 / Lower roller bearing

BATCH NR:

PROJECT:

Shaft $\varnothing 132\text{mm}$, max working load 16600kg

REKV.NR / ORDRE NR:

DATE:
23-06-2009

NAME:
JR

SCALE / PAPER:
1:10 / A4

MATERIAL:
WEIGHT: g

LOCATION:

ORDRE DATO:

MODIFY DATE:

: /

REV:

LEV.DATO:

Jefa Rudder
SYSTEMS

JEFA MARINE A/S
NIMBUSVEJ 2
2670 GREVE, DENMARK

Tlf: +45 4615 5210 & Fax: +45 46155208
Email: info@jefa.com www.jefa.com