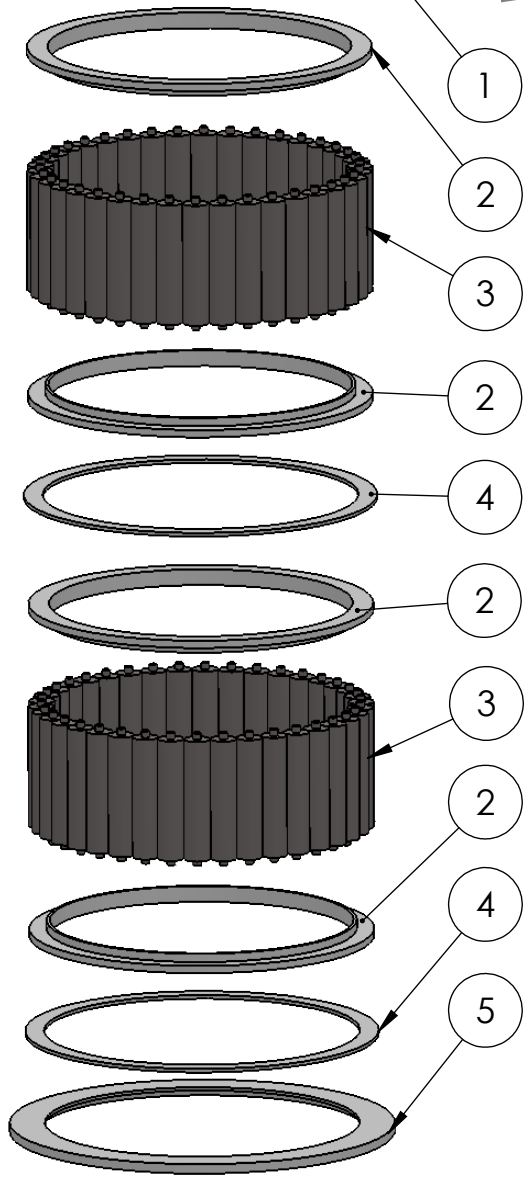
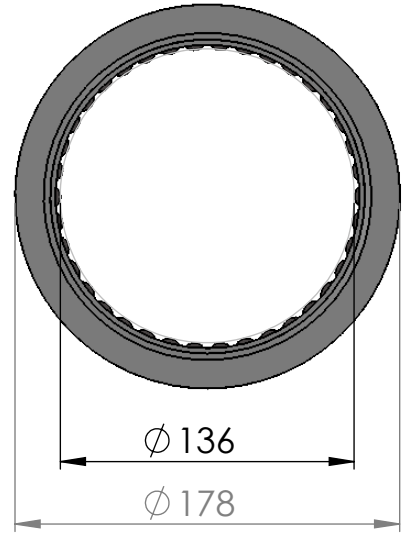


SECTION A-A  
SCALE 1 : 3.5



ITEM NO.	PART NUMBER	PART NAME	QTY.
1	M21-123	Bearing house for 41135 - 41144	1
2	M05-332	L-ring $\phi 140$ $\phi 143,5$ $\phi 160$	4
3	M01-364	Roller $\phi 12,0$ x 57mm	76
4	M03-300	Delrin Lockring $\phi 163,5$ x $\phi 146$ x 1,75mm	2
5	M07-230	Washer $\phi 145$ x $\phi 178$ x 4,5mm	1

DWG NR / NAME: **41136 / Lower roller bearing**

PROJECT: Shaft  $\phi 136$ mm, max working load 17900kg

DATE: 23-06-2009  
 NAME: JR  
 SCALE / PAPER: 1:10 / A4  
 MATERIAL: g  
 LOCATION:  
 WEIGHT: g  
 REV:

BATCH NR:  
 REKV.NR / ORDRE NR:  
 ORDRE DATO:  
 LEV.DATO:

*Jefa Rudder*  
 SYSTEMS  
 JEFA MARINE A/S  
 NIMBUSVEJ 2  
 2670 GREVE, DENMARK  
 Tlf: +45 4615 5210 & Fax: +45 46155208  
 Email: info@jefa.com www.jefa.com

: /