

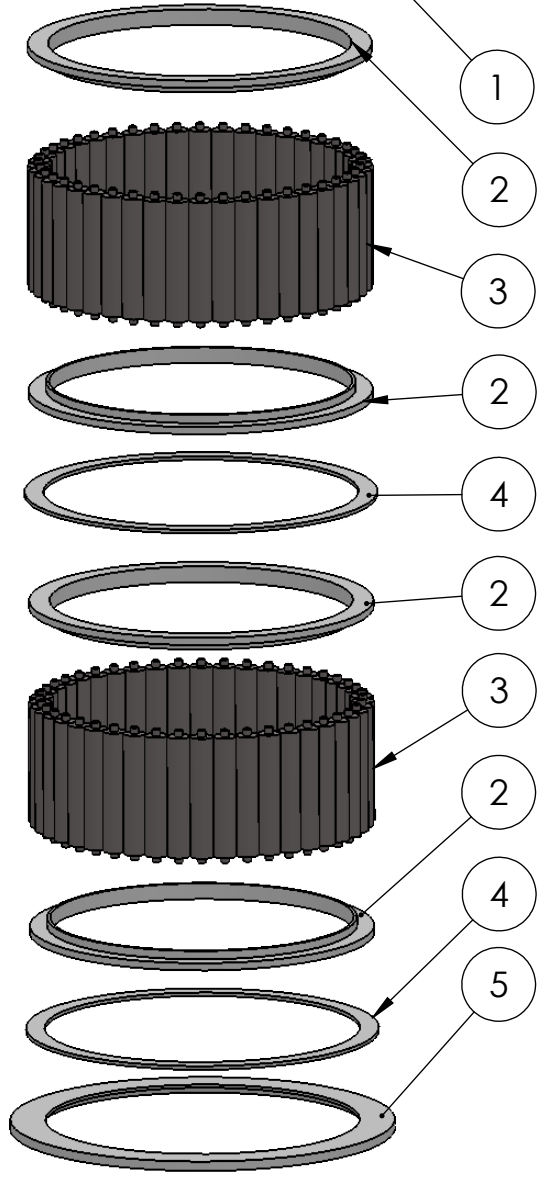
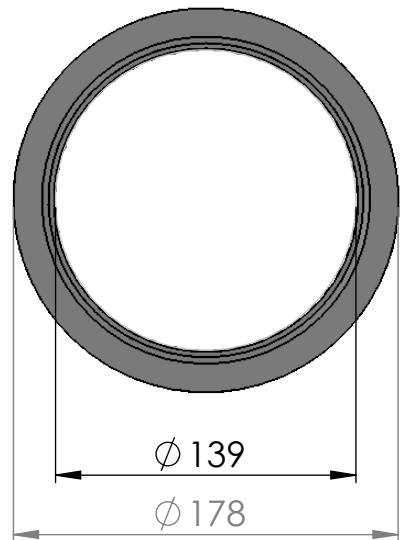
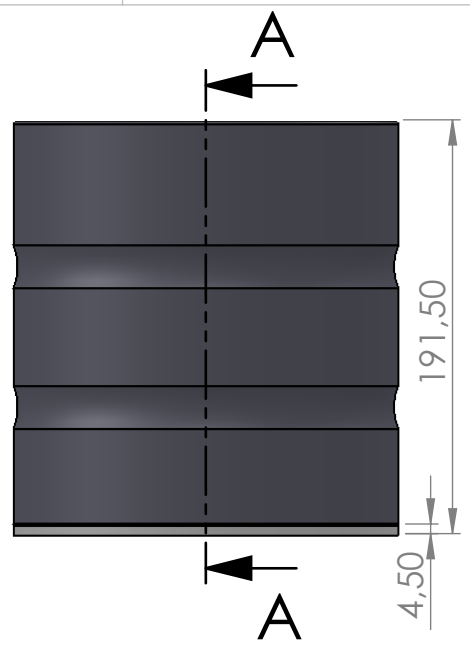
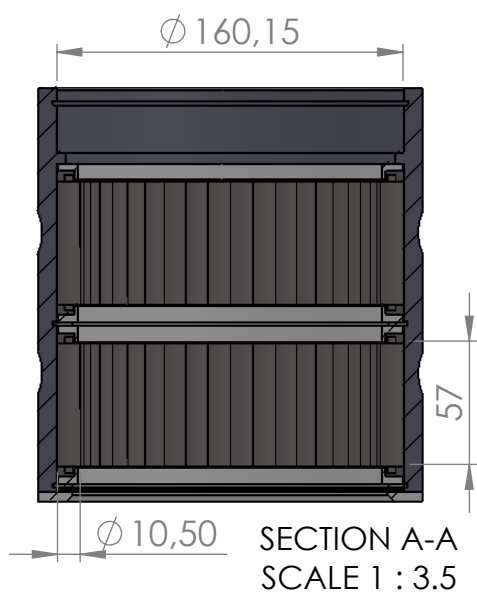
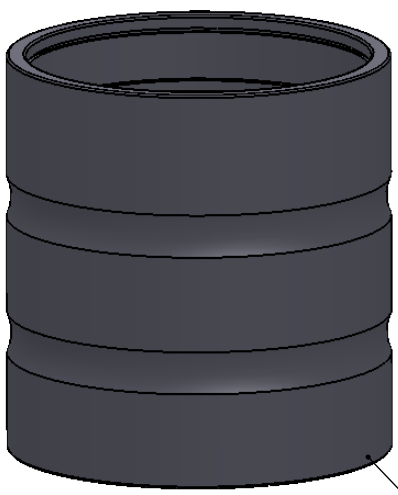
A

B

C

D

E



ITEM NO.	PART NUMBER	PART NAME	QTY.
1	M21-123	Bearing house for 41135 - 41144	1
2	M05-332	L-ring $\varnothing 140$ $\varnothing 143,5$ $\varnothing 160$	4
3	M01-340	Roller $\varnothing 10.5$ x 57mm	88
4	M03-300	Delrin Lockring $\varnothing 163,5$ x $\varnothing 146$ x 1,75mm	2
5	M07-230	Washer $\varnothing 145$ x $\varnothing 178$ x 4,5mm	1

DWG NR / NAME:

41139 / Lower roller bearing

BATCH NR:

PROJECT:

Shaft $\varnothing 139$ mm, max working load 17900kg

REKV.NR / ORDRE NR:

DATE:
23-06-2009

NAME:
JR

SCALE / PAPER:
1:10 / A4

MATERIAL:
WEIGHT: g

LOCATION:

ORDRE DATO:

MODIFY DATE:
: /

REV:

LEV.DATO:

Jefa Rudder
SYSTEMS

JEFA MARINE A/S
NIMBUSVEJ 2
2670 GREVE, DENMARK

Tlf: +45 4615 5210 & Fax: +45 46155208
Email: info@jefa.com www.jefa.com