

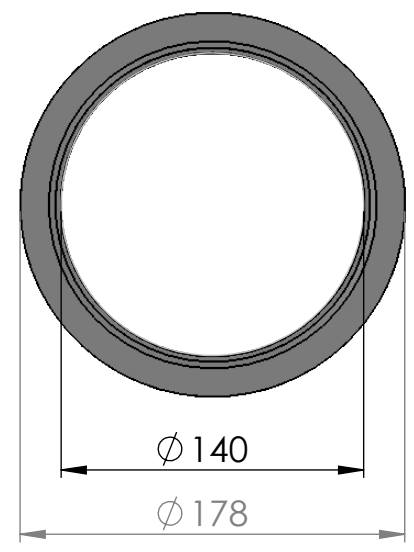
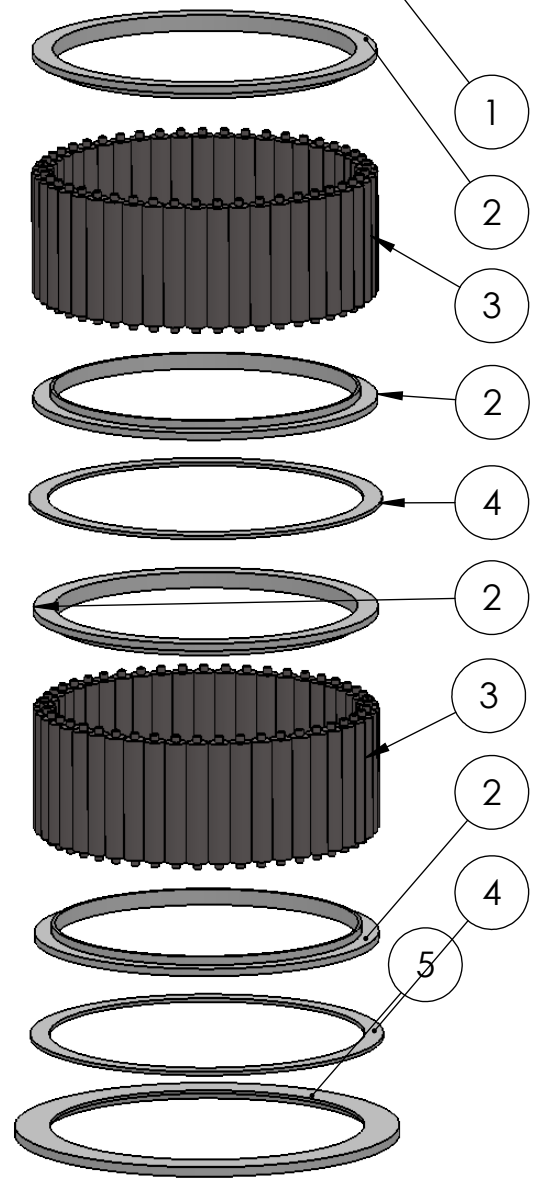
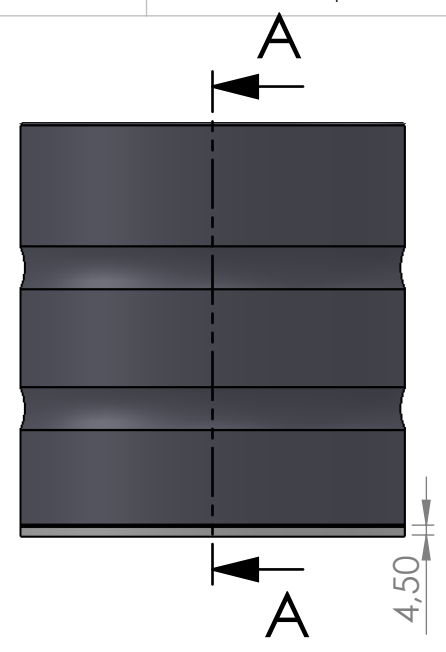
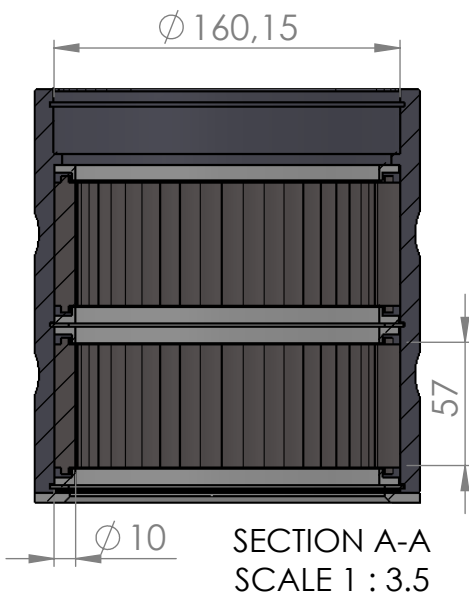
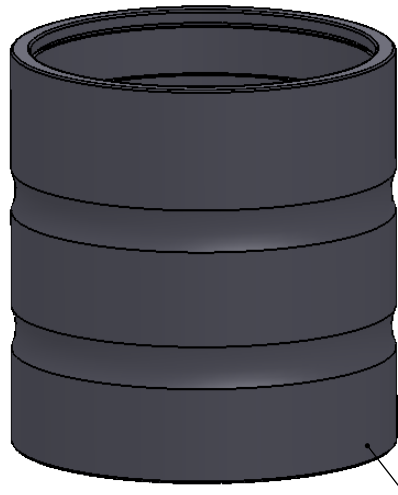
A

B

C

D

E



ITEM NO.	PART NUMBER	PART NAME	QTY.
1	M21-123	Bearing house for 41135 - 41144	1
2	M05-332	L-ring $\varnothing 140$ $\varnothing 143,5$ $\varnothing 160$	4
3	M01-332	Roller $\varnothing 10.0$ x 57mm	94
4	M03-300	Delrin Lockring $\varnothing 163,5$ x $\varnothing 146$ x 1,75mm	2
5	M07-230	Washer $\varnothing 145$ x $\varnothing 178$ x 4,5mm	1

DWG NR / NAME: **41140 / Lower roller bearing**

PROJECT: Shaft  $\varnothing 140$ mm, max working load 17900kg

DATE: 23-06-2009  
 MODIFY DATE: /

NAME: JR

SCALE / PAPER: 1:10 / A4

MATERIAL: g  
 WEIGHT:

LOCATION:  
 REV:

BATCH NR:  
 REKV.NR / ORDRE NR:  
 ORDRE DATO:  
 LEV.DATO:

*Jefa Rudder*  
 SYSTEMS  
 JEFA MARINE A/S  
 NIMBUSVEJ 2  
 2670 GREVE, DENMARK  
 Tlf: +45 4615 5210 & Fax: +45 46155208  
 Email: info@jefa.com www.jefa.com