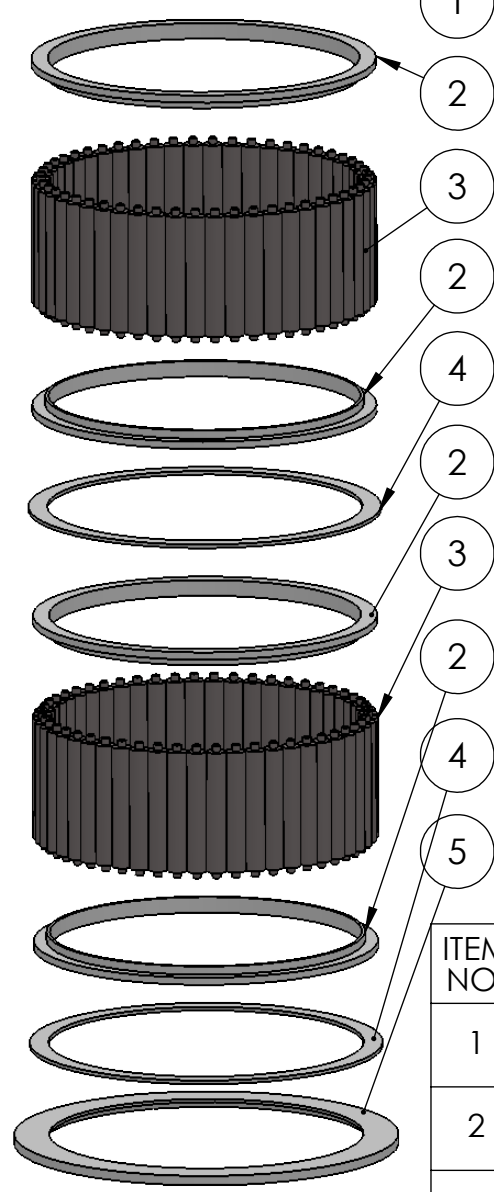


SECTION A-A
SCALE 1 : 3.5



ITEM NO.	PART NUMBER	PART NAME	QTY.
1	M21-123	Bearing house for 41135 - 41144	1
2	M05-334	L-ring, delrin $\varnothing 144 \times \varnothing 160 \times 7,5\text{mm}$	4
3	M01-316	Roller $\varnothing 9.0 \times 57\text{mm}$	104
4	M03-300	Delrin Lockring $\varnothing 163,5 \times \varnothing 146 \times 1,75\text{mm}$	2
5	M07-230	Washer $\varnothing 145 \times \varnothing 178 \times 4,5\text{mm}$	1

DWG NR / NAME: **41142 / Lower roller bearing**

PROJECT: Shaft $\varnothing 142\text{mm}$, max working load 17900kg

DATE: 27.07.2016
 NAME: JR
 SCALE / PAPER: 1:3,5 / A4
 MATERIAL: g
 WEIGHT: g
 LOCATION:
 REV:

BATCH NR:
 REKV.NR / ORDRE NR:
 ORDRE DATO:
 LEV.DATO:

Jefa Rudder
 SYSTEMS
 JEFA MARINE A/S
 NIMBUSVEJ 2
 2670 GREVE, DENMARK
 Tlf: +45 4615 5210 & Fax: +45 46155208
 Email: info@jefa.com www.jefa.com

: /