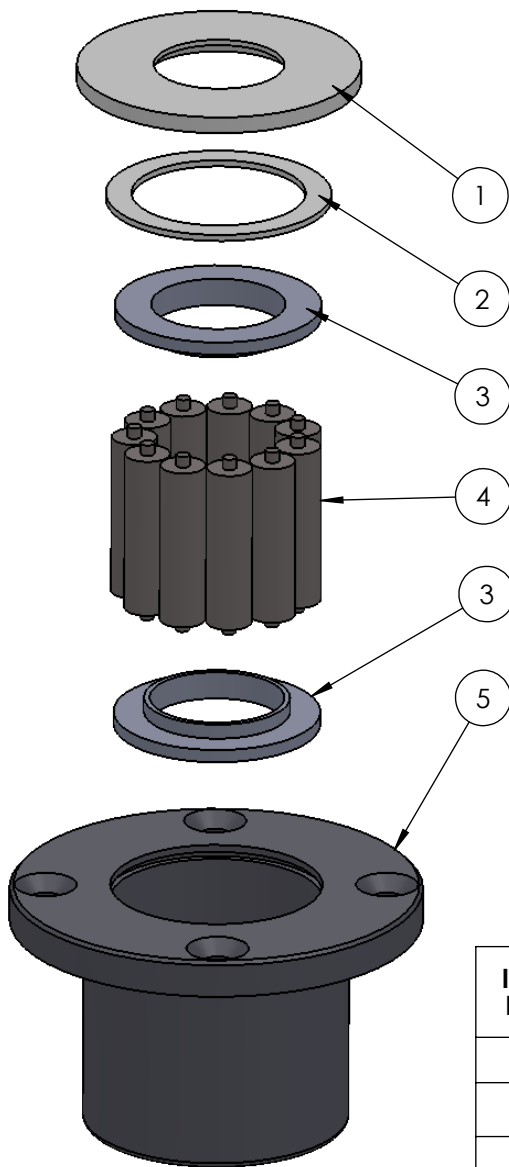


SECTION A-A
SCALE 1 : 1.5



ITEM NO.	PART NUMBER	PART NAME	QTY.
1	M07-100	Washer $\text{Ø}34.5 \text{Ø}75$	1
2	M03-191	Delrin Lockring $\text{Ø}59,5 \times \text{Ø}46 \times 1,75\text{mm}$	1
3	M05-101	L-ring $\text{Ø}35 \times \text{Ø}55$	2
4	M01-264	Roller $\text{Ø}12 \times 44\text{mm}$	11
5	M23-101	Top roller bearing house $\text{Ø}30\text{-}\text{Ø}40$	1

DWG NR / NAME:

42032 / Top roller bearing

BATCH NR:

PROJECT:
Shaft $\text{Ø}32\text{mm}$, Max working load 2000kg

REKV.NR / ORDRE NR:

DATE:
07-04-2009

NAME:
KJ

SCALE / PAPER:
1:1,5 / A4

MATERIAL:
WEIGHT: g

LOCATION:

ORDRE DATO:

MODIFY DATE:

: /

REV:

LEV.DATO:

Jefa Rudder
SYSTEMS

JEFA MARINE A/S
NIMBUSVEJ 2
2670 GREVE, DENMARK

Tlf: +45 4615 5210 & Fax: +45 46155208
Email: info@jefa.com www.jefa.com