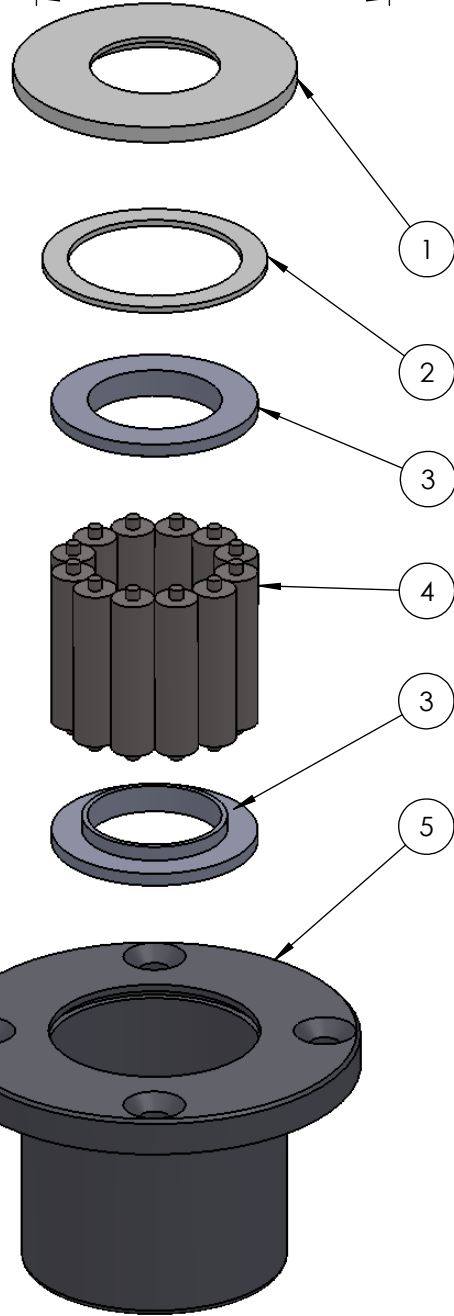


SECTION A-A
SCALE 1 : 1.5



ITEM NO.	PART NUMBER	PART NAME	QTY.
1	M07-100	Washer $\varnothing 34.5 \varnothing 75$	1
2	M03-191	Delrin Lockring $\varnothing 59,5 \times \varnothing 46 \times 1,75\text{mm}$	1
3	M05-101	L-ring $\varnothing 35 \times \varnothing 55$	2
4	M01-256	Roller $\varnothing 11.5 \times 44\text{mm}$	12
5	M23-101	Top roller bearing house $\varnothing 30\text{-}\varnothing 40$	1

DWG NR / NAME: **42033 / Top roller bearing**

PROJECT: Shaft $\varnothing 33\text{mm}$, Max working load 2000kg

DATE: 07-04-2009	NAME: KJ	SCALE / PAPER: 1:1,5 / A4	MATERIAL: WEIGHT: g	LOCATION:
MODIFY DATE: : /				REV:

BATCH NR:
REKV.NR / ORDRE NR:
ORDRE DATO:
LEV.DATO:

Jefa Rudder
S Y S T E M S
JEFA MARINE A/S
NIMBUSVEJ 2
2670 GREVE, DENMARK
Tlf: +45 4615 5210 & Fax: +45 46155208
Email: info@jefa.com www.jefa.com