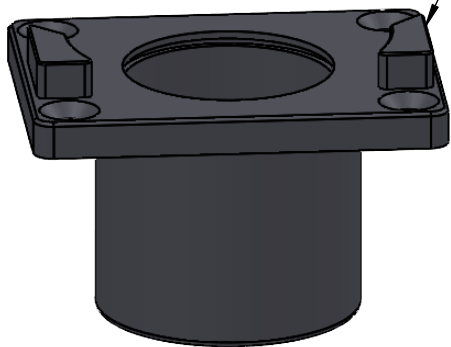
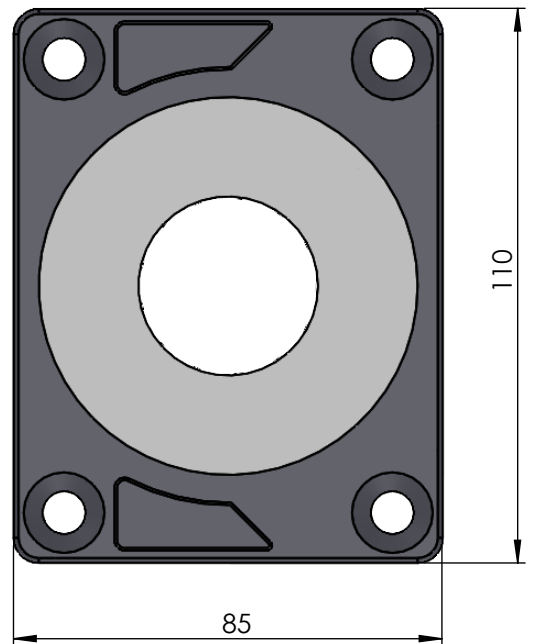
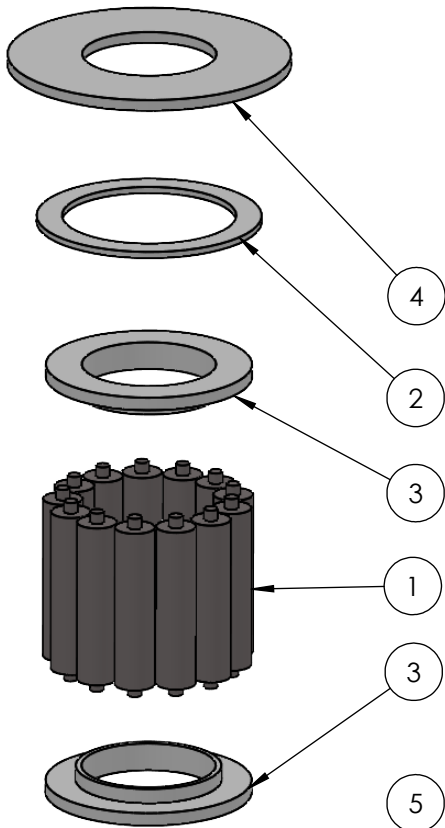
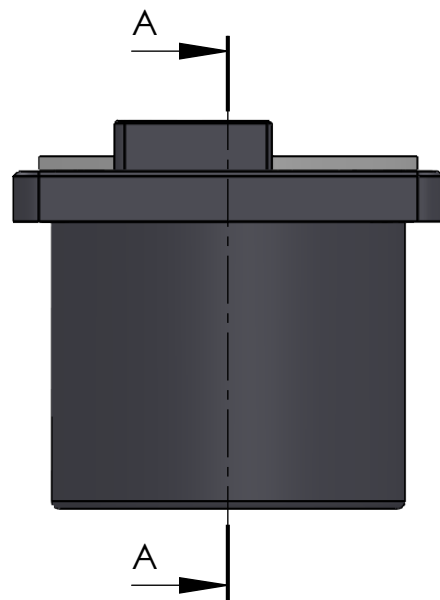


SECTION A-A
SCALE 1 : 1.5



ITEM NO.	PART NUMBER	PART NAME	QTY
1	M01-240	Roller ø10.5 x 44mm	13
2	M03-191	Delrin Lockring ø59,5 x ø46 x 1,75mm	1
3	M05-101	L-ring ø35x ø55	2
4	M07-101	Washer, delrin ø35,5xø75x3mm	1
5	M23-110	Top roller bearing house with stop	1

DWG NR / NAME:

42035SQ / Top roller bearing with stop

BATCH NR:

PROJECT:

Shaft ø35mm, Max working load 2000kg

REKV.NR / ORDRE NR:

DATE:
19-11-2009

NAME:
JR

SCALE / PAPER:
1:2 / A4

MATERIAL:
WEIGHT: g

LOCATION:
REV:

ORDRE DATO:

LEV.DATO:

Jefa Rudder
SYSTEMS

JEFA MARINE A/S
NIMBUSVEJ 2
2670 GREVE, DENMARK

Tlf: +45 4615 5210 & Fax: +45 4615208
Email: info@jefa.com www.jefa.com

: /