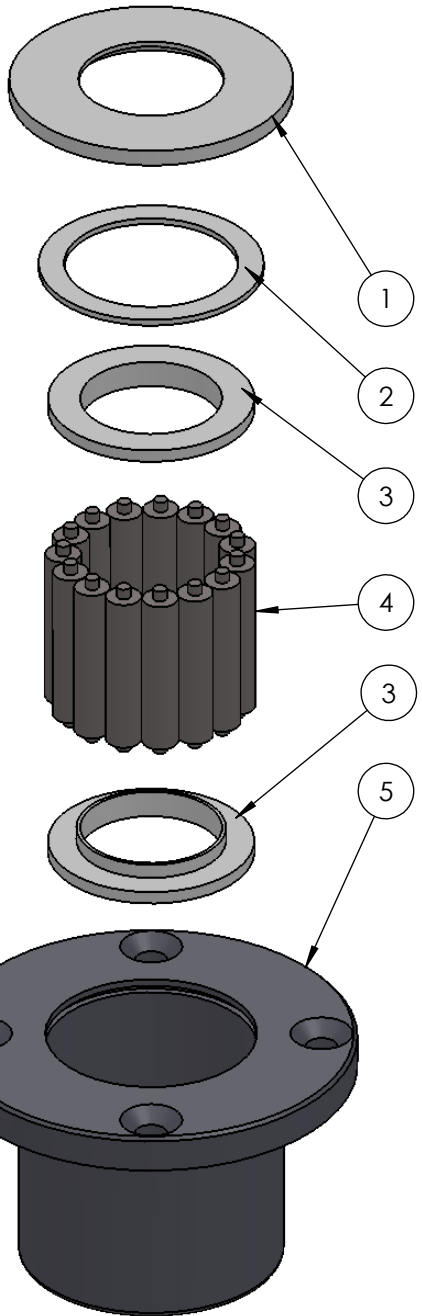


SECTION A-A
SCALE 1 : 1.5



ITEM NO.	PART NUMBER	PART NAME	QTY.
1	M07-103	Washer $\phi 38.5 \phi 75$	1
2	M03-191	Delrin Lockring $\phi 59.5 \times \phi 46 \times 1,75\text{mm}$	1
3	M05-103	L-ring $\phi 37 \phi 39.5 \phi 55$	2
4	M01-224	Roller $\phi 9.5 \times 44\text{mm}$	15
5	M23-101	Top roller bearing house $\phi 30-\phi 40$	1

DWG NR / NAME: **42037 / Top roller bearing**

PROJECT: Shaft $\phi 37\text{mm}$, Max working load 2000kg

DATE: 07-04-2009
MODIFY DATE: /

NAME: KJ

SCALE / PAPER: 1:1,5 / A4

MATERIAL: WEIGHT: g

LOCATION: REV:

BATCH NR:
REKV.NR / ORDRE NR:
ORDRE DATO:
LEV.DATO:

Jefa Rudder
SYSTEMS
JEFA MARINE A/S
NIMBUSVEJ 2
2670 GREVE, DENMARK
Tlf: +45 4615 5210 & Fax: +45 46155208
Email: info@jefa.com www.jefa.com