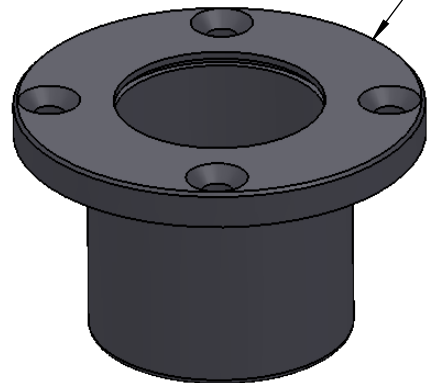
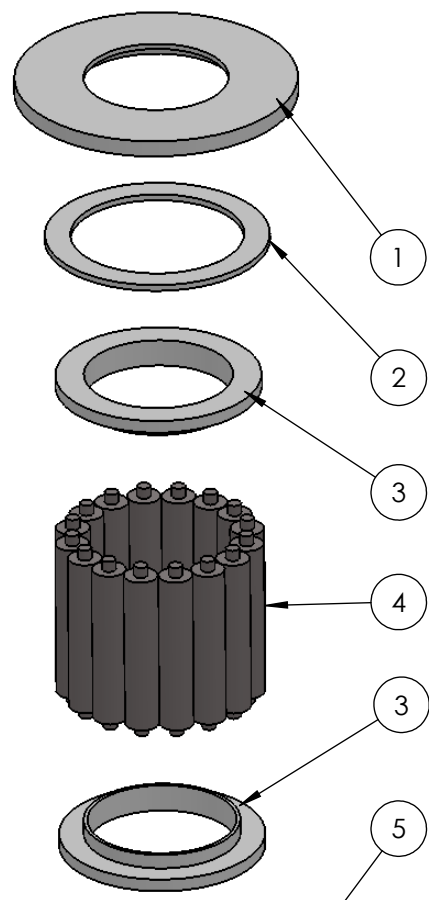


SECTION A-A
SCALE 1 : 1.5



ITEM NO.	PART NUMBER	PART NAME	QTY.
1	M07-103	Washer $\phi 38.5 \phi 75$	1
2	M03-191	Delrin Lockring $\phi 59,5 \times \phi 46 \times 1,75\text{mm}$	1
3	M05-104	L-ring $\phi 39 \phi 41.5 \phi 55$	2
4	M01-216	Roller $\phi 9 \times 44\text{mm}$	16
5	M23-101	Top roller bearing house $\phi 30-\phi 40$	1

DWG NR / NAME:

42038 / Top roller bearing

BATCH NR:

PROJECT:
Shaft $\phi 38\text{mm}$, Max working load 2000kg

REKV.NR / ORDRE NR:

DATE:
07-04-2009
MODIFY DATE:

NAME:
KJ

SCALE / PAPER:
1:1,5 / A4

MATERIAL:
WEIGHT: g

LOCATION:
REV:

ORDRE DATO:
LEV.DATO:

Jefa Rudder
SYSTEMS
JEFA MARINE A/S
NIMBUSVEJ 2
2670 GREVE, DENMARK
Tlf: +45 4615 5210 & Fax: +45 46155208
Email: info@jefa.com www.jefa.com

: /