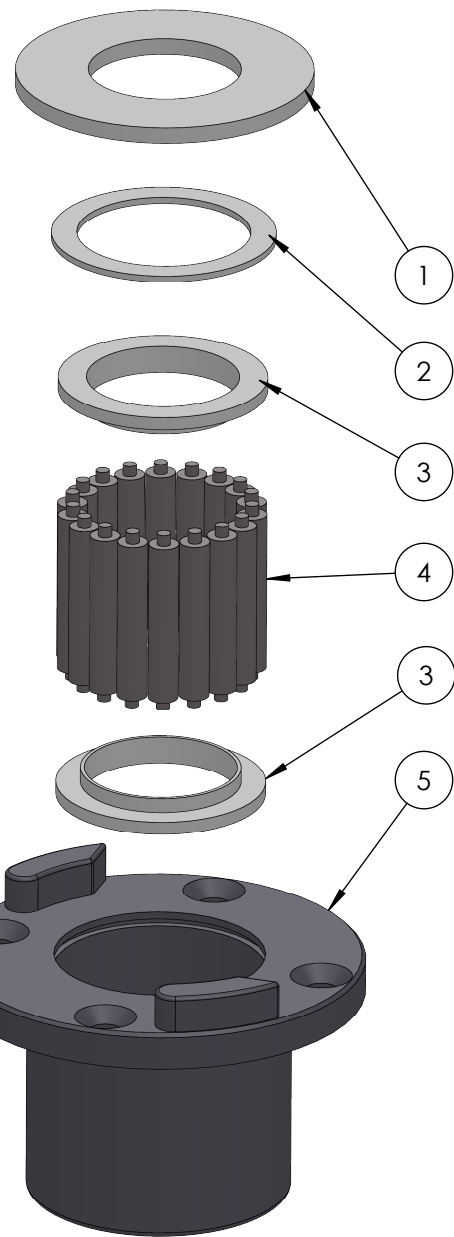


SECTION A-A
SCALE 1 : 1.5



ITEM NO.	PART NUMBER	PART NAME	QTY.
1	M07-107	Washer, delrin $\phi 40,5 \times \phi 79 \times 4,5\text{mm}$	1
2	M03-191	Delrin Lockring $\phi 59,5 \times \phi 46 \times 1,75\text{mm}$	1
3	M05-107	L-ring $\phi 40 \times \phi 56$	2
4	M01-201	Roller $\phi 8 \times 44\text{mm}$	18
5	M23-105	Top roller bearing house with stop	1

DWG NR / NAME:

42040STP / Top roller bearing with stop

BATCH NR:

PROJECT:
Shaft $\phi 40\text{mm}$, Max working load 2000kg

REKV.NR / ORDRE NR:

DATE:
14-04-2020

NAME:
TCH

SCALE / PAPER:
1:2 / A4

MATERIAL:
WEIGHT: g

LOCATION:

ORDRE DATO:

MODIFY DATE:
: /

REV:

LEV.DATO:



JEFA MARINE A/S
NIMBUSVEJ 2
2670 GREVE. DENMARK

Tlf: +45 4615 5210 & Fax: +45 46155208
Email: info@jefa.com www.jefa.com