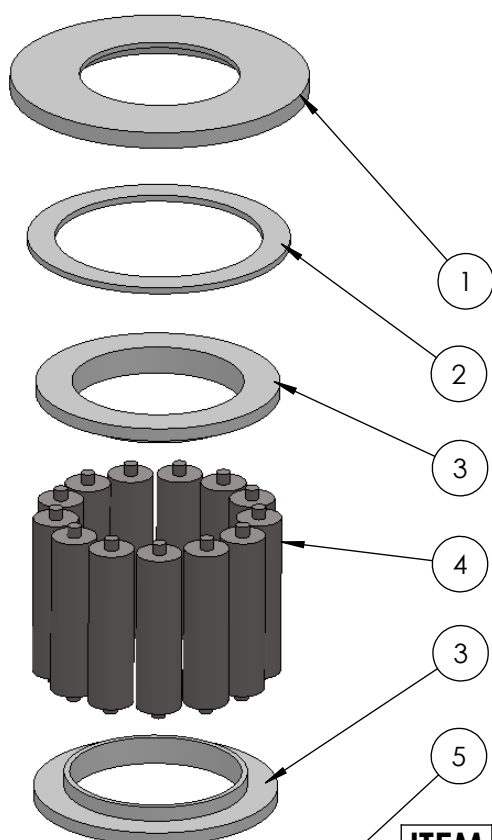
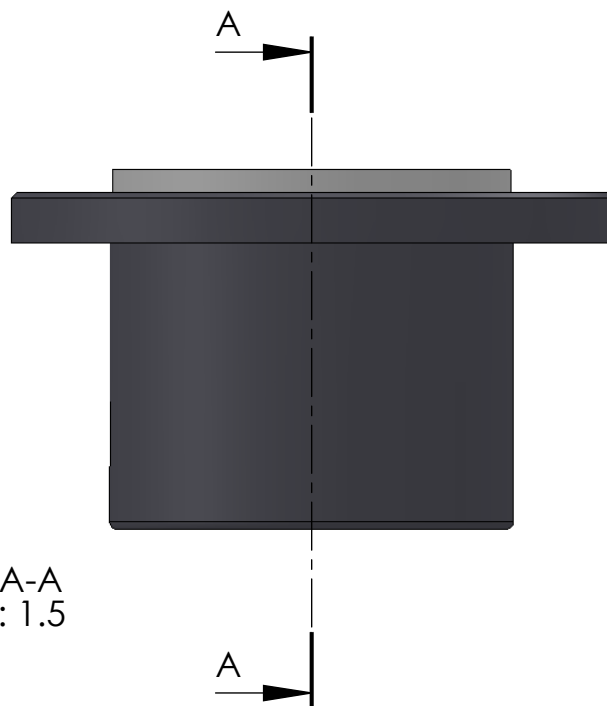


SECTION A-A
SCALE 1 : 1.5



ITEM NO.	PART NUMBER	PART NAME	QTY
1	M07-108	Washer $\phi 42.5 \phi 79$	1
2	M03-197	Delrin Lockring $\phi 69,5 \times \phi 55 \times 1,75\text{mm}$	1
3	M05-119	L-ring $\phi 45 \times \phi 65 \times 7,5$	2
4	M01-264	Roller $\phi 12 \times 44\text{mm}$	13
5	M23-120	Top roller bearing house	1

DWG NR / NAME:

42042 / Top roller bearing

BATCH NR:

PROJECT:

Shaft $\phi 42\text{mm}$, Max working load 2500kg

REKV.NR / ORDRE NR:

DATE:

25-05-2009

NAME:

JR

SCALE / PAPER:

1:2 / A4

MATERIAL:

WEIGHT:

g

LOCATION:

REV:

ORDRE DATO:

LEV.DATO:

MODIFY DATE:

: /

Jefa Rudder
SYSTEMS

JEFA MARINE A/S
NIMBUSVEJ 2
2670 GREVE, DENMARK

Tlf: +45 4615 5210 & Fax: +45 4615208
Email: info@jefa.com www.jefa.com