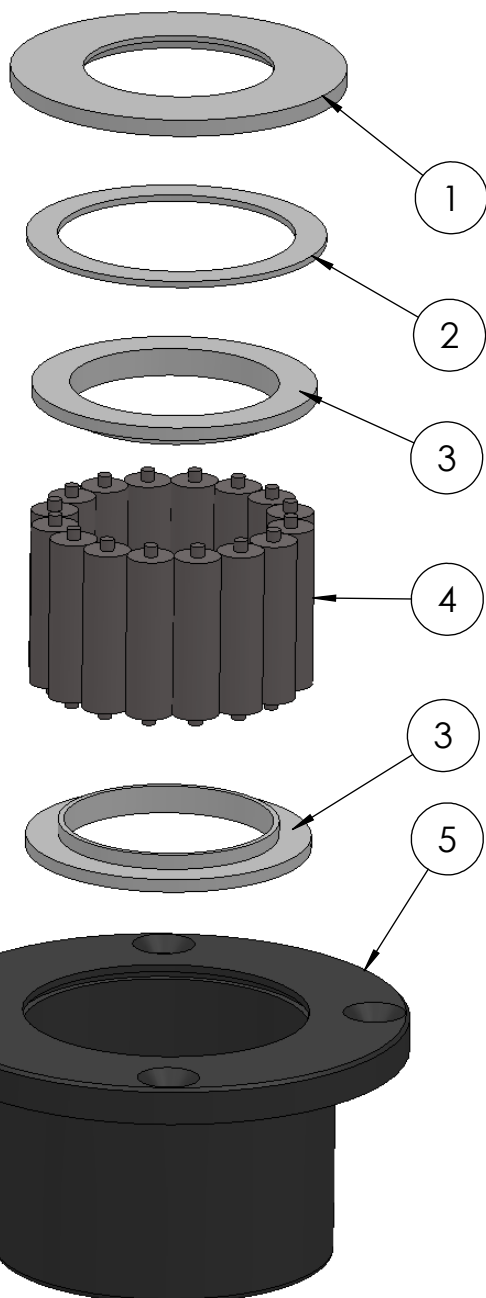


SECTION A-A  
SCALE 1 : 1.5



| ITEM NO. | PART NUMBER | PART NAME   | EXPL /QTY |
|----------|-------------|---|-----------|
| 1        | M07-116     | Washer $\varnothing 50.5 \times \varnothing 89$                               | 1         |
| 2        | M03-203     | Delrin Lockring $\varnothing 79.5 \times \varnothing 63 \times 1,75\text{mm}$ | 1         |
| 3        | M05-143     | L-ring $\varnothing 55 \times \varnothing 58.5 \varnothing 76$                | 2         |
| 4        | M01-272     | Roller $\varnothing 12.5 \times 44\text{mm}$                                  | 16        |
| 5        | M23-125     | Top roller bearing $\varnothing 50\text{-}\varnothing 60$                     | 1         |

DWG NR / NAME:

**42051 / Top roller bearing**

BATCH NR:

PROJECT:

Shaft  $\varnothing 51\text{mm}$ , Max working load 3000kg

REKV.NR / ORDRE NR:

DATE:  
25-05-2009

NAME:  
JR

SCALE / PAPER:  
1:2 / A4

MATERIAL:  
WEIGHT: g

LOCATION:

ORDRE DATO:

MODIFY DATE:  
: /

REV:

LEV.DATO:

*Jefa Rudder*  
SYSTEMS

JEFA MARINE A/S  
NIMBUSVEJ 2  
2670 GREVE, DENMARK

Tlf: +45 4615 5210 & Fax: +45 4615 5208  
Email: info@jefa.com www.jefa.com