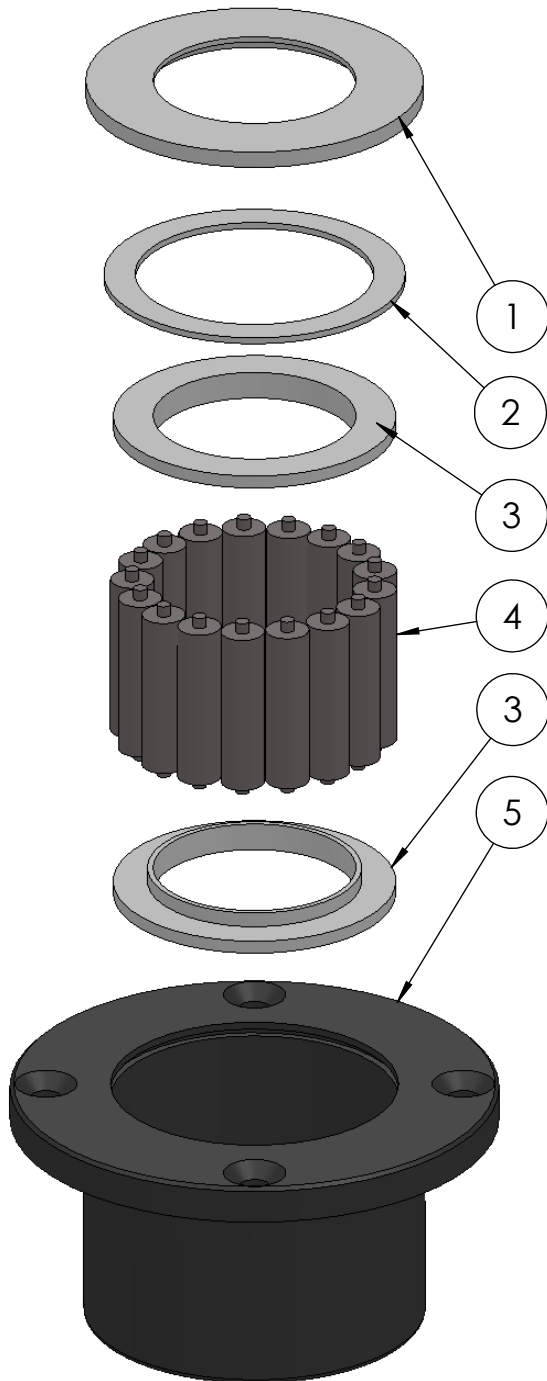


SECTION A-A



ITEM NO.	PART NUMBER	PART NAME	EXPL /QTY
1	M07-119	Washer $\phi 53.5 \phi 89$	1
2	M03-203	Delrin Lockring $\phi 79,5 \times \phi 63 \times 1,75\text{mm}$	1
3	M05-137	L-ring $\phi 53 \times \phi 56.5 \phi 75$	2
4	M01-256	Roller $\phi 11.5 \times 44\text{mm}$	17
5	M23-125	Top roller bearing $\phi 50-\phi 60$	1

DWG NR / NAME:

**42053 / Top roller bearing**

BATCH NR:

PROJECT:

Shaft  $\phi 53\text{mm}$ , Max working load 3000kg

REKV.NR / ORDRE NR:

DATE:  
25-05-2009NAME:  
JRSCALE / PAPER:  
1:2 / A4MATERIAL:  
WEIGHT:

g

LOCATION:

ORDRE DATO:

MODIFY DATE:

: /

REV:

LEV.DATO:

*Jefa Rudder*  
SYSTEMS

JEFA MARINE A/S  
NIMBUSVEJ 2  
2670 GREVE, DENMARK

Tlf: +45 4615 5210 & Fax: +45 4615208  
Email: info@jefa.com www.jefa.com