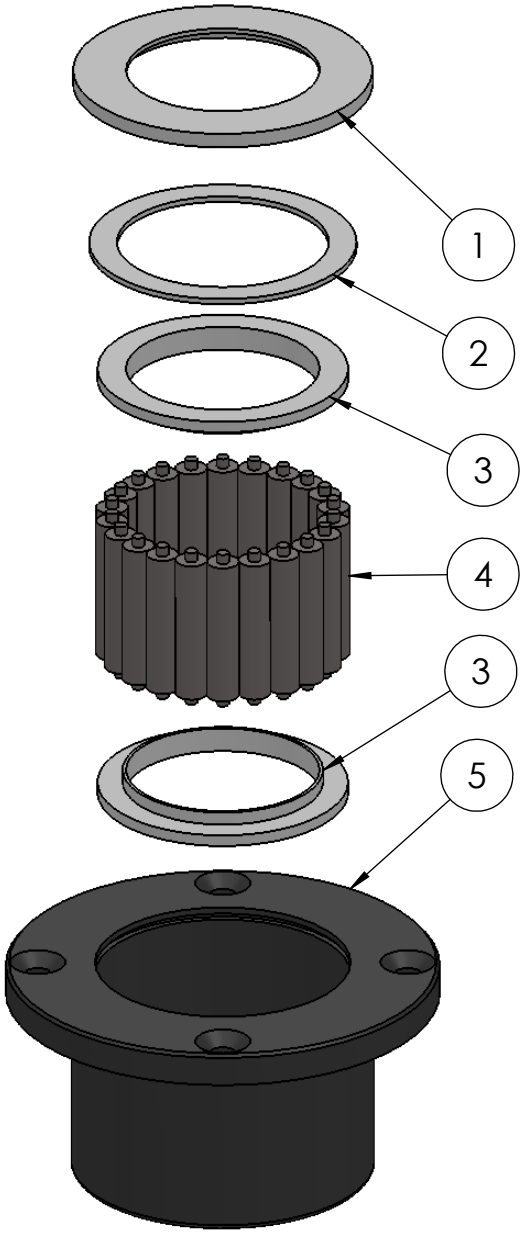
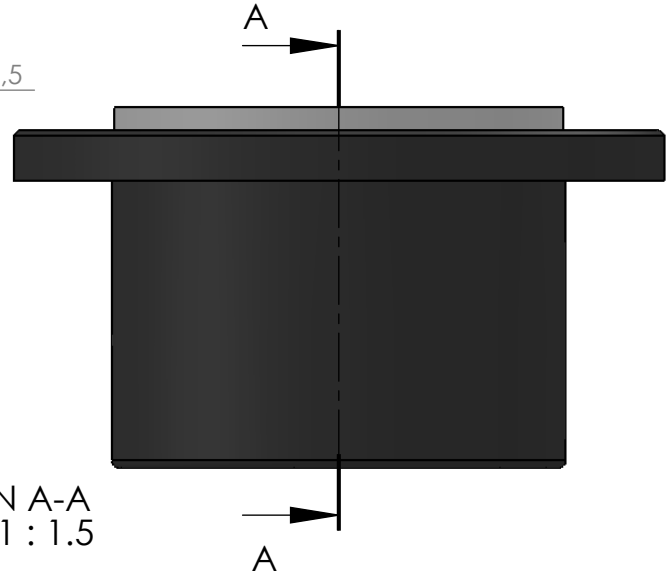
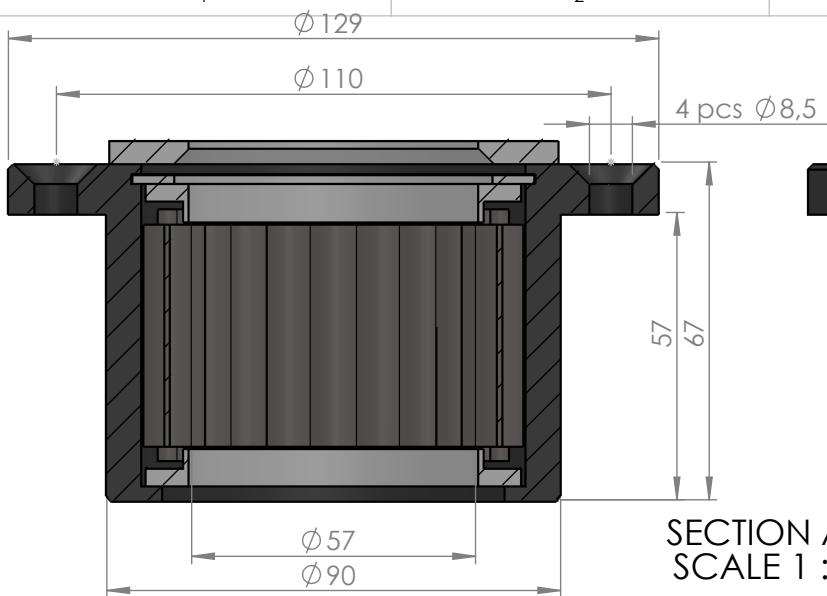


1

2

3

4



ITEM NO.	PART NUMBER	PART NAME	QTY
1	M07-125	Washer $\phi 57.5 \phi 89$	1
2	M03-203	Delrin Lockring $\phi 79.5 \times \phi 63 \times 1,75\text{mm}$	1
3	M05-146	L-ring $\phi 57 \times 59.5 \phi 75$	2
4	M01-224	Roller $\phi 9.5 \times 44\text{mm}$	22
5	M23-125	Top roller bearing $\phi 50-\phi 60$	1

DWG NR / NAME: **42057 / Top roller bearing**

PROJECT: Shaft $\phi 57\text{mm}$, Max working load 3000kg

DATE: 25-05-2009
 MODIFY DATE: /

NAME: JR

SCALE / PAPER: 1:2 / A4

MATERIAL: g
 WEIGHT:

LOCATION:
 REV:

BATCH NR:

REKV.NR / ORDRE NR:

ORDRE DATO:

LEV.DATO:

Jefa Rudder
 S Y S T E M S

JEFA MARINE A/S
 NIMBUSVEJ 2
 2670 GREVE, DENMARK

Tlf: +45 4615 5210 & Fax: +45 4615208
 Email: info@jefa.com www.jefa.com