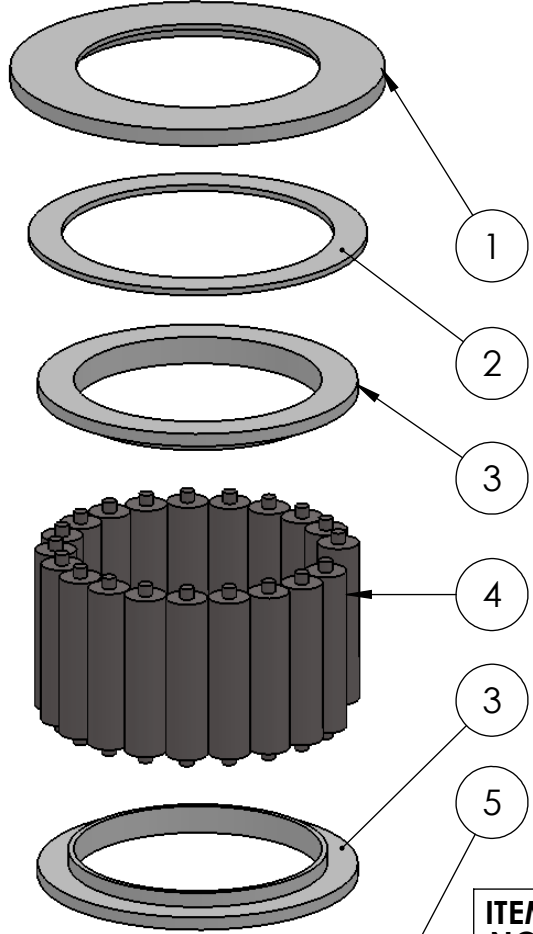


SECTION A-A
SCALE 1 : 1.75



ITEM NO.	PART NUMBER	PART NAME	QTY.
1	M07-136	Washer $\phi 64.5 \phi 99$	1
2	M03-209	Delrin Lockring $\phi 89,5 \times \phi 72 \times 1,75\text{mm}$	1
3	M05-164	L-ring $\phi 65 \phi 68.5 \phi 85$	2
4	M01-248	Roller $\phi 11 \times 44\text{mm}$	21
5	M23-130	Top roller bearing $\phi 60-\phi 70$	1

DWG NR / NAME: **42064 / Top roller bearing**

PROJECT: Shaft $\phi 64\text{mm}$, max working load 4500kg

DATE: 26-05-2009
MODIFY DATE: /

NAME: JR

SCALE / PAPER: 1:5 / A4

MATERIAL: g
WEIGHT:

LOCATION:
REV:

BATCH NR:
REKV.NR / ORDRE NR:
ORDRE DATO:
LEV.DATO:

Jefa Rudder
SYSTEMS
JEFA MARINE A/S
NIMBUSVEJ 2
2670 GREVE, DENMARK
Tlf: +45 4615 5210 & Fax: +45 4615208
Email: info@jefa.com www.jefa.com