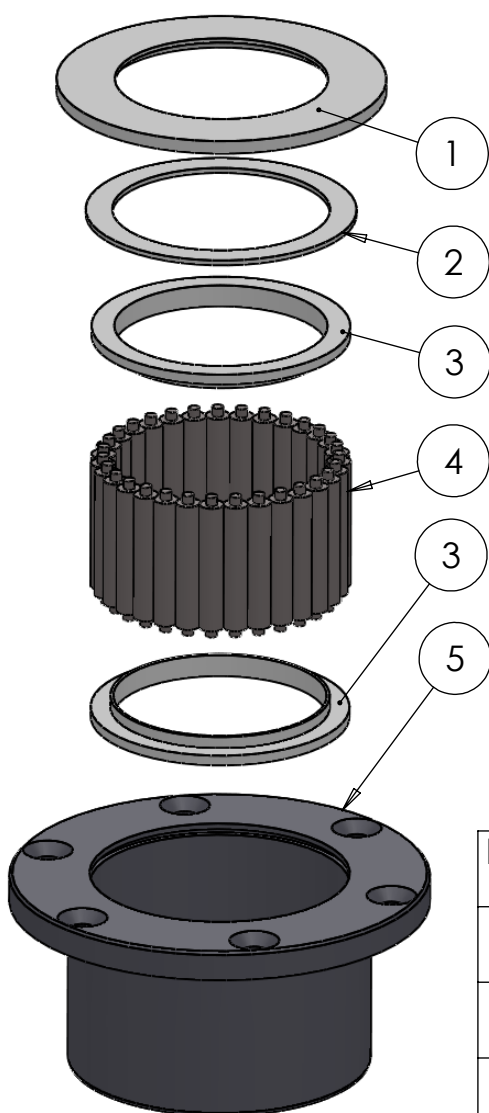


SECTION A-A
SCALE 1 : 1.75



ITEM NO.	PART NUMBER	PART NAME	EXPL/QTY
1	M05-173	L-ring $\varnothing 70$ $\varnothing 109$ mm	1
2	M03-209	Delrin Lockring $\varnothing 89,5$ x $\varnothing 72$ x 1,75mm	1
3	M07-146	Washer, delrin $\varnothing 70,5$ x $\varnothing 109$ x 4,5mm	2
4	M01-201	Roller $\varnothing 8$ x 44mm	31
5	M23-130	Top roller bearing $\varnothing 60$ - $\varnothing 70$	1

DWG NR / NAME:

42070 / Top roller bearing

BATCH NR:

PROJECT:

Shaft $\varnothing 70$ mm, Max working load 4500kg

REKV.NR / ORDRE NR:

DATE:

06-06-2013

NAME:

JR

SCALE / PAPER:

1:2,5 / A4

MATERIAL:

WEIGHT:

g

LOCATION:

ORDRE DATO:

MODIFY DATE:

: /

REV:

LEV.DATO:

Jefa Rudder
SYSTEMS

JEFA MARINE A/S
NIMBUSVEJ 2
2670 GREVE. DENMARK

Tlf: +45 4615 5210 & Fax: +45 4615 5208
Email: info@jefa.com www.jefa.com