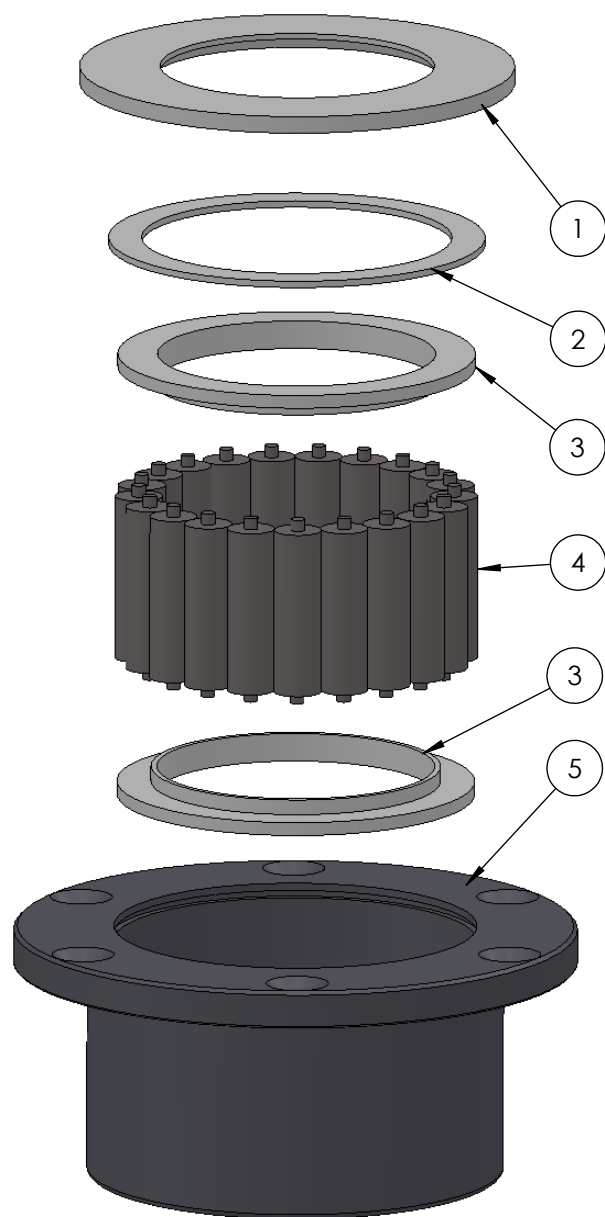
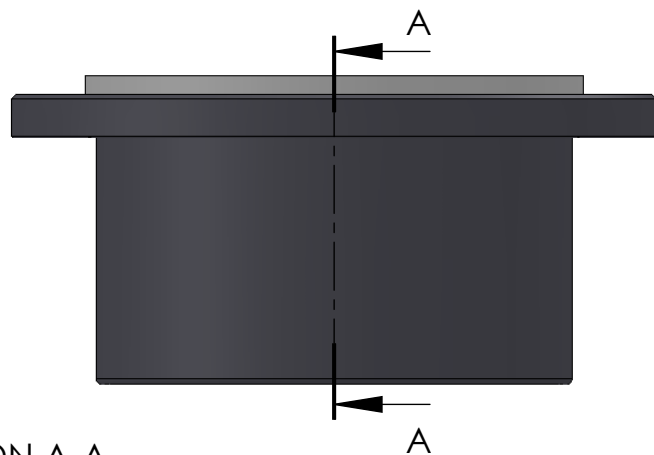


SECTION A-A
SCALE 1 : 1.75



ITEM NO.	PART NUMBER	PART NAME	EXPL /QTY
1	M07-149	Washer $\varnothing 73.5 \varnothing 109$	1
2	M03-215	Delrin Lockring $\varnothing 99,5 \times 82 \times 1,75\text{mm}$	1
3	M05-179	L-ring $\varnothing 73 \varnothing 76.5 \varnothing 95$	2
4	M01-272	Roller $\varnothing 12.5 \times 44\text{mm}$	21
5	M23-135	Top roller bearing $\varnothing 70-\varnothing 80$	1

DWG NR / NAME:

42071 / Top roller bearing

BATCH NR:

PROJECT:

Shaft $\varnothing 71\text{mm}$, Max working load 5100kg

REKV.NR / ORDRE NR:

DATE:
27-05-2009

NAME:
JR

SCALE / PAPER:
1:2 / A4

MATERIAL:
WEIGHT: g

LOCATION:

ORDRE DATO:

MODIFY DATE:
: /

REV:

LEV.DATO:

Jefa Rudder
SYSTEMS

JEFA MARINE A/S
NIMBUSVEJ 2
2670 GREVE, DENMARK

Tlf: +45 4615 5210 & Fax: +45 4615208
Email: info@jefa.com www.jefa.com