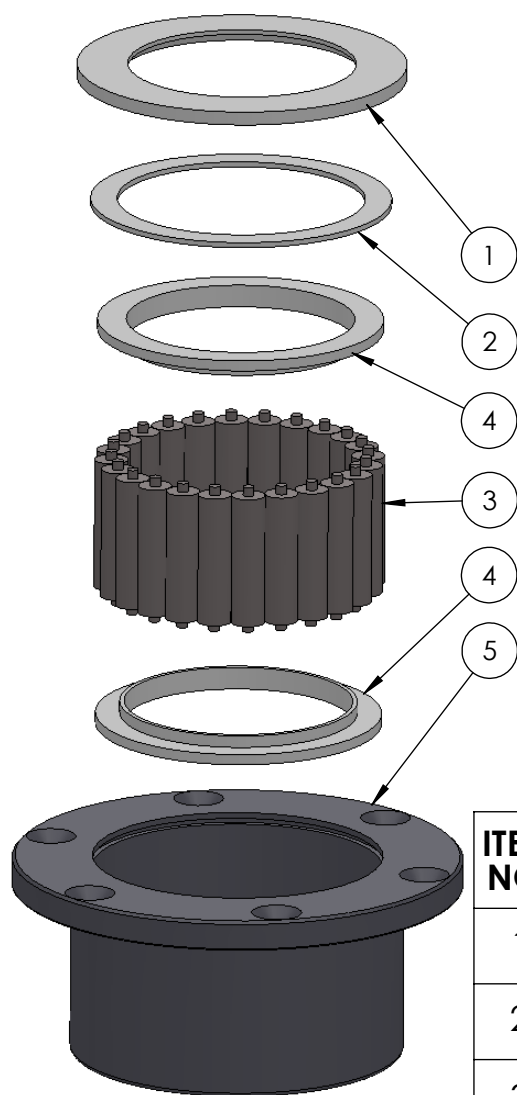
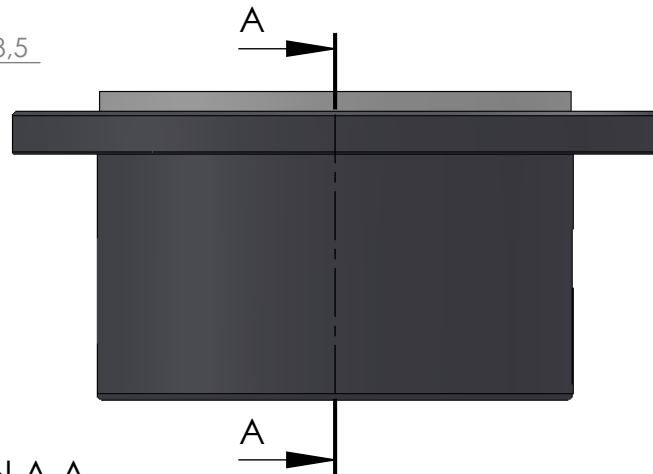


SECTION A-A
SCALE 1 : 1.75



ITEM NO.	PART NUMBER	PART NAME	EXPL /QTY
1	M07-152	Washer, delrin $\varnothing 75,5 \times \varnothing 109 \times 4,5\text{mm}$	1
2	M03-215	Delrin Lockring $\varnothing 99,5 \times 82 \times 1,75\text{mm}$	1
3	M01-248	Roller $\varnothing 11 \times 44\text{mm}$	24
4	M05-182	L-ring, delrin $\varnothing 75 \times \varnothing 95 \times 7,5\text{mm}$	2
5	M23-135	Top roller bearing $\varnothing 70\text{-}\varnothing 80$	1

DWG NR / NAME:

42074 / Top roller bearing

BATCH NR:

PROJECT:

Shaft $\varnothing 74\text{mm}$, Max working load 5100kg

REKV.NR / ORDRE NR:

DATE:

27-05-2009

NAME:

JR

SCALE / PAPER:

1:2 / A4

MATERIAL:

WEIGHT:

g

LOCATION:

REV:

ORDRE DATO:

LEV.DATO:

MODIFY DATE:

: /

Jefa Rudder
SYSTEMS

JEFA MARINE A/S
NIMBUSVEJ 2
2670 GREVE. DENMARK

Tlf: +45 4615 5210 & Fax: +45 46155208
Email: info@jefa.com www.jefa.com