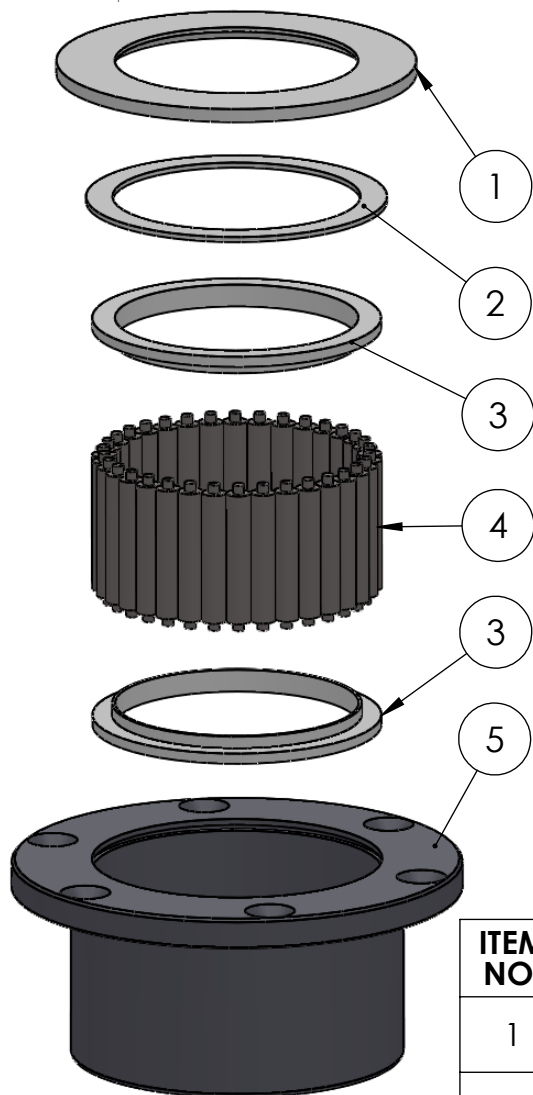
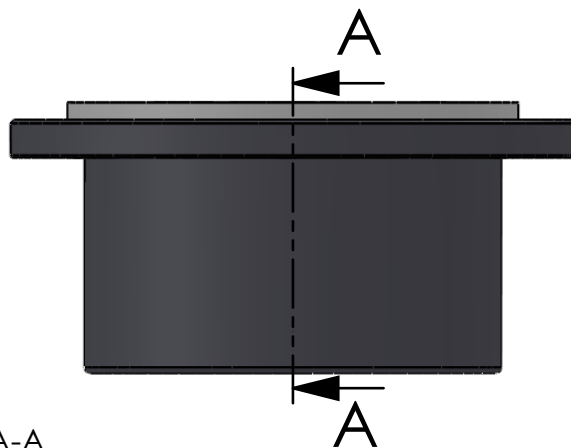


SECTION A-A
SCALE 1 : 2



ITEM NO.	PART NUMBER	PART NAME	QTY.
1	M07-161	Washer, delrin $\varnothing 80,5 \times \varnothing 119 \times 4,5\text{mm}$	1
2	M03-215	Delrin Lockring $\varnothing 99,5 \times 82 \times 1,75\text{mm}$	1
3	M05-189	L-ring, delrin $\varnothing 80 \times \varnothing 96 \times 7,5\text{mm}$	2
4	M01-201	Roller $\varnothing 8 \times 44\text{mm}$	34
5	M23-135	Top roller bearing $\varnothing 70-\varnothing 80$	1

DWG NR / NAME:

42080 / Top roller bearing

BATCH NR:

PROJECT:

Shaft $\varnothing 80\text{mm}$, Max working load 5100kg

REKV.NR / ORDRE NR:

DATE:

27-05-2009

NAME:

JR

SCALE / PAPER:

1:2,5 / A4

MATERIAL:

WEIGHT:

g

LOCATION:

ORDRE DATO:

MODIFY DATE:

: /

REV:

LEV.DATO:

Jefa Rudder
SYSTEMS

JEFA MARINE A/S
NIMBUSVEJ 2
2670 GREVE. DENMARK

Tlf: +45 4615 5210 & Fax: +45 4615208
Email: info@jefa.com www.jefa.com