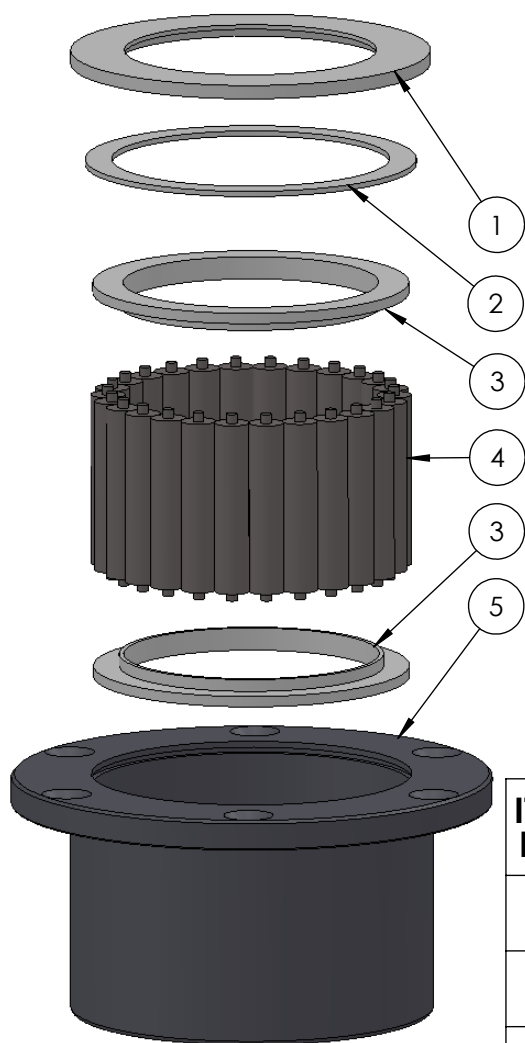
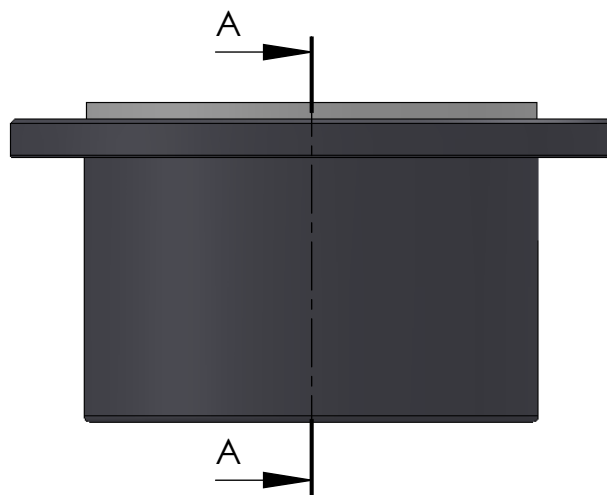


SECTION A-A



ITEM NO.	PART NUMBER	PART NAME	EXPL /QTY
1	M07-163	Washer, delrin $\varnothing 83,5 \times \varnothing 119 \times 4,5\text{mm}$	1
2	M03-222	Delrin Lockring $\varnothing 109,5 \times \varnothing 92 \times 1,75\text{mm}$	1
3	M05-194	L-ring, delrin $\varnothing 84 \times \varnothing 105 \times 7,5\text{mm}$	2
4	M01-356	Roller $\varnothing 11.5 \times 57\text{mm}$	26
5	M23-140	Top roller bearing $\varnothing 80\text{-}\varnothing 90$	1

DWG NR / NAME:

**42083 / Top roller bearing**

BATCH NR:

PROJECT:

Shaft  $\varnothing 83\text{mm}$ , Max working load 5700kg

REKV.NR / ORDRE NR:

DATE:

28-05-2009

NAME:

JR

SCALE / PAPER:

1:2 / A4

MATERIAL:

WEIGHT:

g

LOCATION:

ORDRE DATO:

MODIFY DATE:

: /

REV:

LEV.DATO:

*Jefa Rudder*  
S Y S T E M S

JEFA MARINE A/S  
NIMBUSVEJ 2  
2670 GREVE. DENMARK

Tlf: +45 4615 5210 & Fax: +45 46155208  
Email: info@jefa.com www.jefa.com