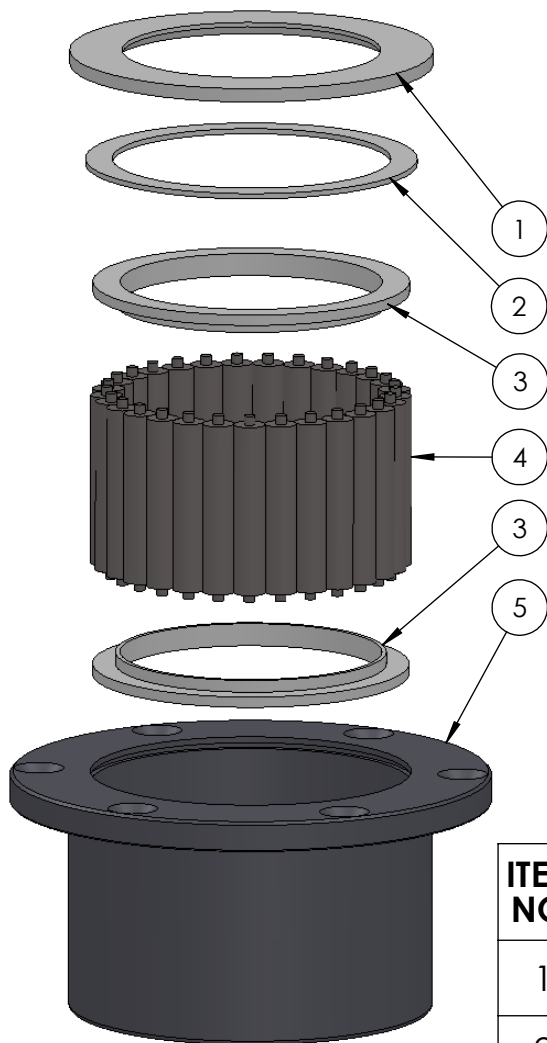
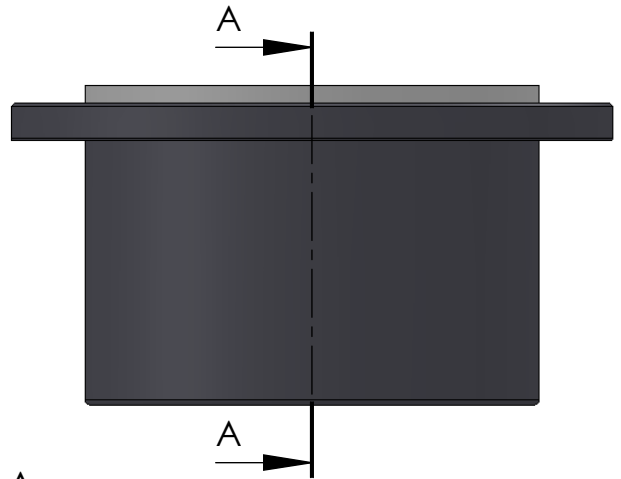


SECTION A-A



ITEM NO.	PART NUMBER	PART NAME	EXPL /QTY
1	M07-166	Washer, delrin $\varnothing 85,5 \times \varnothing 120 \times 4,5\text{mm}$	1
2	M03-222	Delrin Lockring $\varnothing 109,5 \times \varnothing 92 \times 1,75\text{mm}$	1
3	M05-197	L-ring, delrin $\varnothing 86 \times \varnothing 105 \times 7,5\text{mm}$	2
4	M01-340	Roller $\varnothing 10.5 \times 57\text{mm}$	29
5	M23-140	Top roller bearing $\varnothing 80-\varnothing 90$	1

DWG NR / NAME:

42085 / Top roller bearing

BATCH NR:

PROJECT:

Shaft $\varnothing 85\text{mm}$, Max working load 5700kg

REKV.NR / ORDRE NR:

DATE:
03-06-2009NAME:
JRSCALE / PAPER:
1:2 / A4MATERIAL:
WEIGHT: g

LOCATION:

ORDRE DATO:

MODIFY DATE:

: /

REV:

LEV.DATO:

Jefa Rudder
SYSTEMS

JEFA MARINE A/S
NIMBUSVEJ 2
2670 GREVE, DENMARK

Tlf: +45 4615 5210 & Fax: +45 46155208
Email: info@jefa.com www.jefa.com