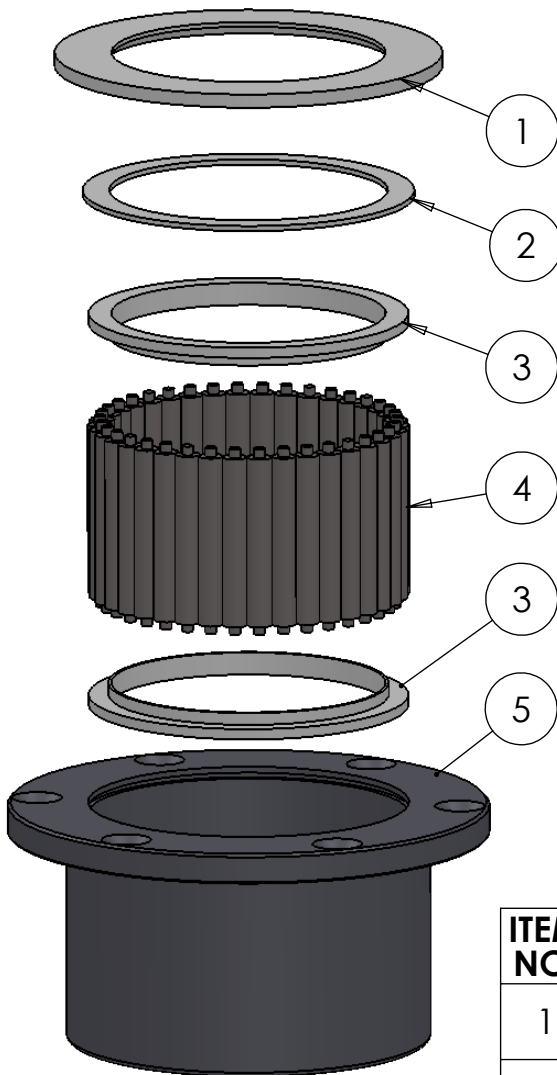


SECTION A-A  
SCALE 1 : 2



| ITEM NO. | PART NUMBER | PART NAME  | QTY. |
|----------|-------------|--|------|
| 1        | M07-173     | Washer, delrin $\varnothing 90,5 \times \varnothing 128 \times 4,5\text{mm}$   | 1    |
| 2        | M03-222     | Delrin Lockring $\varnothing 109,5 \times \varnothing 92 \times 1,75\text{mm}$ | 1    |
| 3        | M05-203     | L-ring, delrin $\varnothing 90 \times \varnothing 106 \times 7,5\text{mm}$     | 2    |
| 4        | M01-301     | Roller $\varnothing 8.0 \times 57\text{mm}$                                    | 38   |
| 5        | M23-140     | Top roller bearing $\varnothing 80-\varnothing 90$                             | 1    |

DWG NR / NAME:

**42090 / Top roller bearing**

BATCH NR:

PROJECT:

Shaft  $\varnothing 90\text{mm}$ , Max working load 5700kg

REKV.NR / ORDRE NR:

DATE:  
03-06-2009

NAME:  
JR

SCALE / PAPER:  
1:2.5 / A4

MATERIAL:  
WEIGHT: g

LOCATION:

ORDRE DATO:

MODIFY DATE:

: /

REV:

LEV.DATO:

*Jefa Rudder*  
SYSTEMS

JEFA MARINE A/S  
NIMBUSVEJ 2  
2670 GREVE, DENMARK

Tlf: +45 4615 5210 & Fax: +45 46155208  
Email: info@jefa.com www.jefa.com