

A

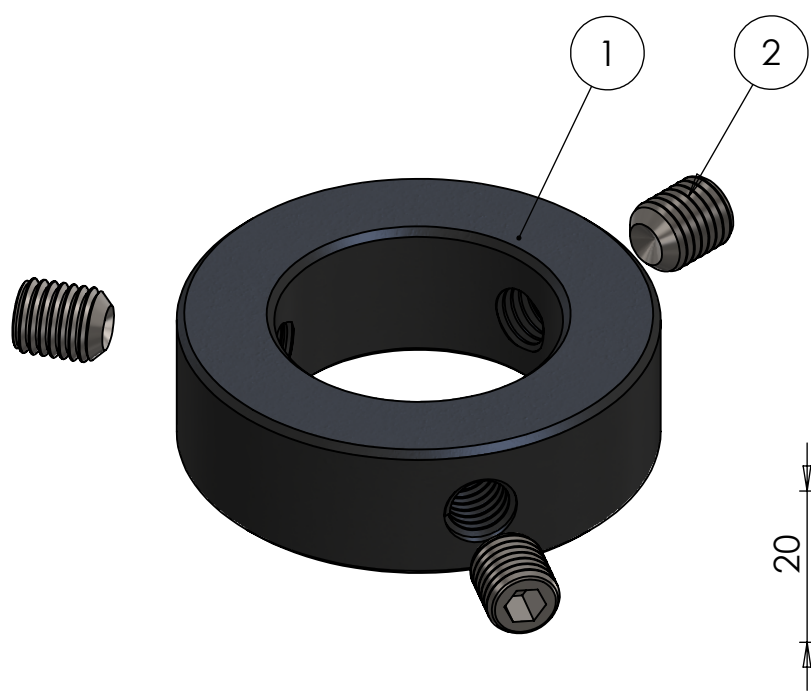
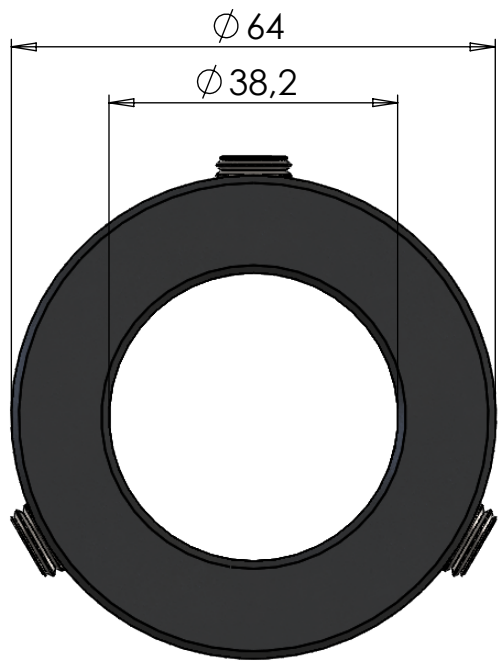
B

C

D

E

F



ITEM NO.	PART NUMBER	DESCRIPTION	QTY.
1	M57-038	Top / Lock ring 38mm	1
2	DIN 916-M10x16	Socket set screw cup point	3

DWG NR / NAME: <b>46038 / Top / Lock ring 38mm</b>				BATCH NR:	
PROJECT:				REKV.NR / ORDRE NR:	
DATE: 30-04-2020	NAME: TML	SCALE / PAPER: 1:1 / A4	MATERIAL: g	LOCATION:	ORDRE DATO:
MODIFY DATE: /			WEIGHT:	REV:	LEV.DATO:

*Jefa Rudder*  
S Y S T E M S

JEFA MARINE A/S  
NIMBUSVEJ 2  
2670 GREVE, DENMARK

Tlf: +45 4615 5210 & Fax: +45 46155208  
Email: info@jefa.com www.jefa.com