

A

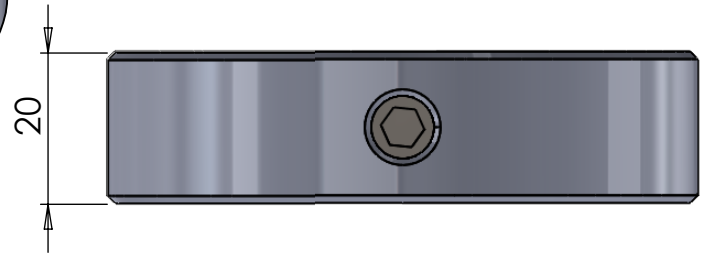
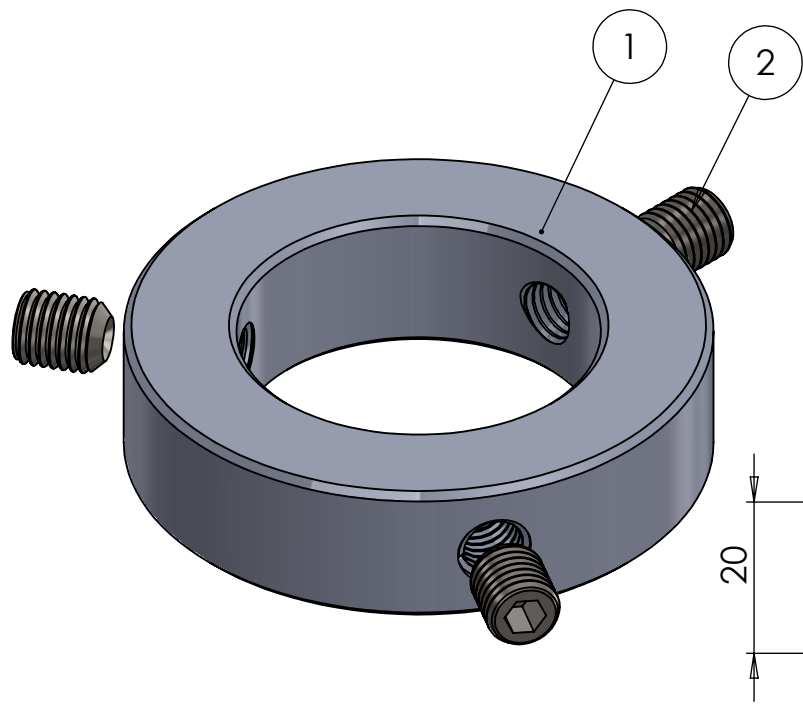
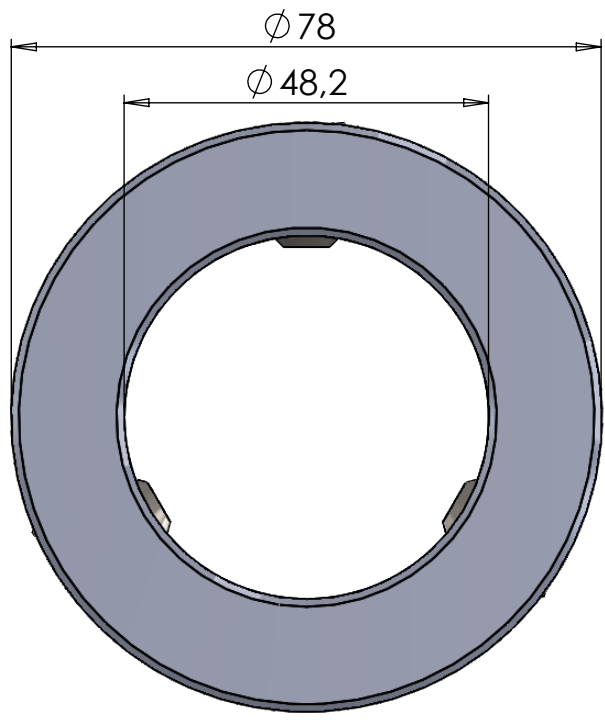
B

C

D

E

F



| ITEM NO. | PART NUMBER | DESCRIPTION | QTY. |
|----------|----------------|----------------------------|------|
| 1 | M57-048 | Top / Lock ring 48mm | 1 |
| 2 | DIN 916-M10x12 | Socket ser screw cup point | 3 |

| | | | | | |
|--|------------------|--------------------------------|--------------------|---------------------|-------------|
| DWG NR / NAME: 46048 / Top / Lock ring 48mm | | | | BATCH NR: | |
| PROJECT: | | | | REKV.NR / ORDRE NR: | |
| DATE: 30-04-2020 | NAME: TML | SCALE / PAPER: 1:1 / A4 | MATERIAL: g | LOCATION: | ORDRE DATO: |
| MODIFY DATE: : / | | | | REV: | LEV.DATO: |

Jefa Rudder
S Y S T E M S
JEFA MARINE A/S
NIMBUSVEJ 2
2670 GREVE, DENMARK
Tlf: +45 4615 5210 & Fax: +45 46155208
Email: info@jefa.com www.jefa.com