

A

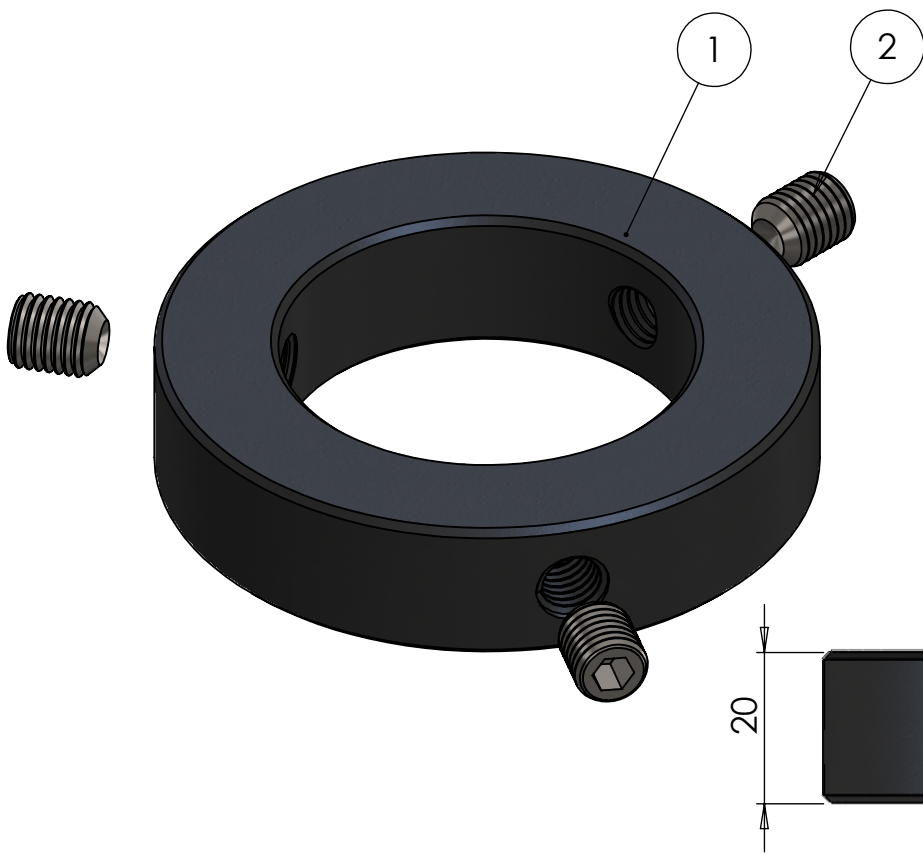
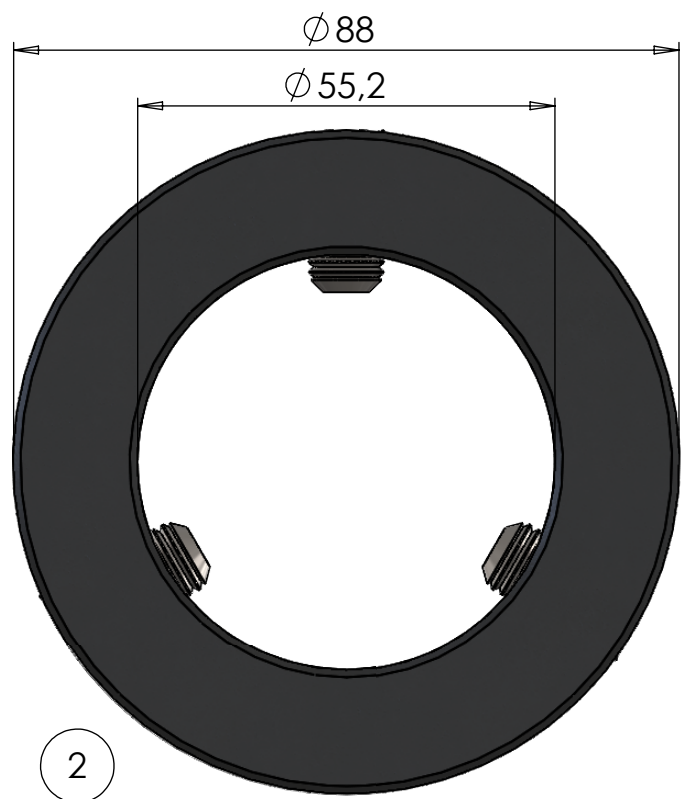
B

C

D

E

F



| ITEM NO. | PART NUMBER    | DESCRIPTION                | QTY. |
|----------|----------------|----------------------------|------|
| 1        | M57-055        | Top / Lock ring 55mm       | 1    |
| 2        | DIN 916-M10x12 | Socket ser screw cup point | 3    |

DWG NR / NAME:

**46055 / Top / Lock ring 55mm**

BATCH NR:

PROJECT:

REKV.NR / ORDRE NR:

DATE: 30-04-2020

NAME: TML

SCALE / PAPER: 1:1 / A4

MATERIAL: WEIGHT: g

LOCATION:

ORDRE DATO:

MODIFY DATE:

: /

REV:

LEV.DATO:

*Jefa Rudder*  
SYSTEMS

JEFA MARINE A/S  
NIMBUSVEJ 2  
2670 GREVE, DENMARK

Tlf: +45 4615 5210 & Fax: +45 46155208  
Email: info@jefa.com www.jefa.com