

A

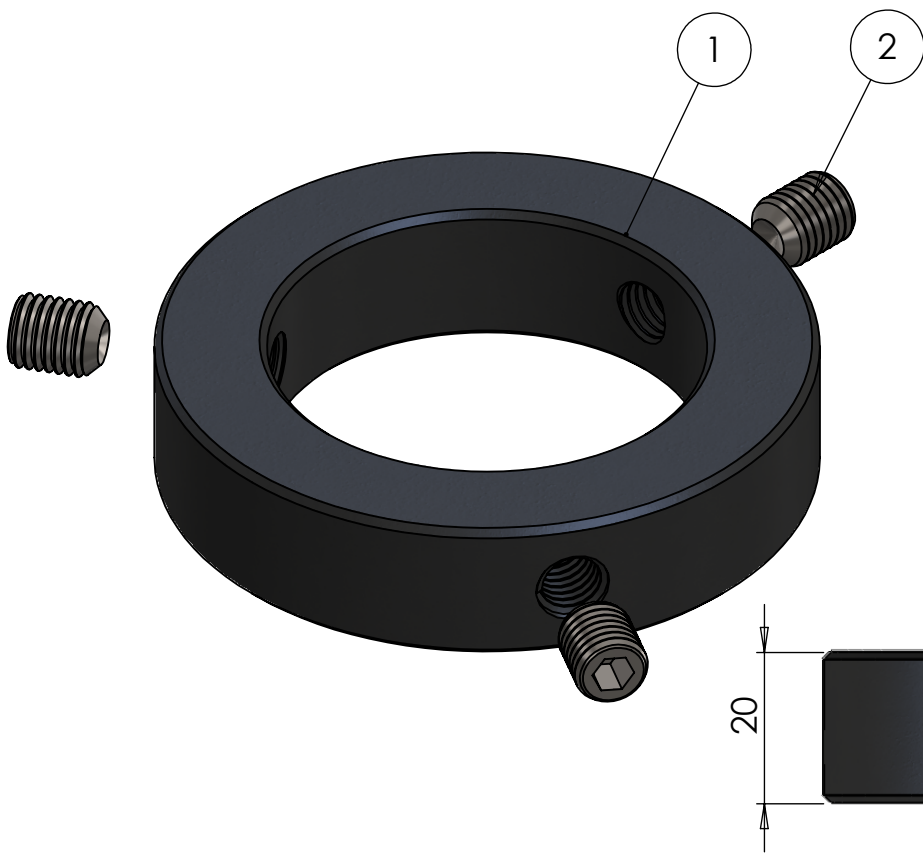
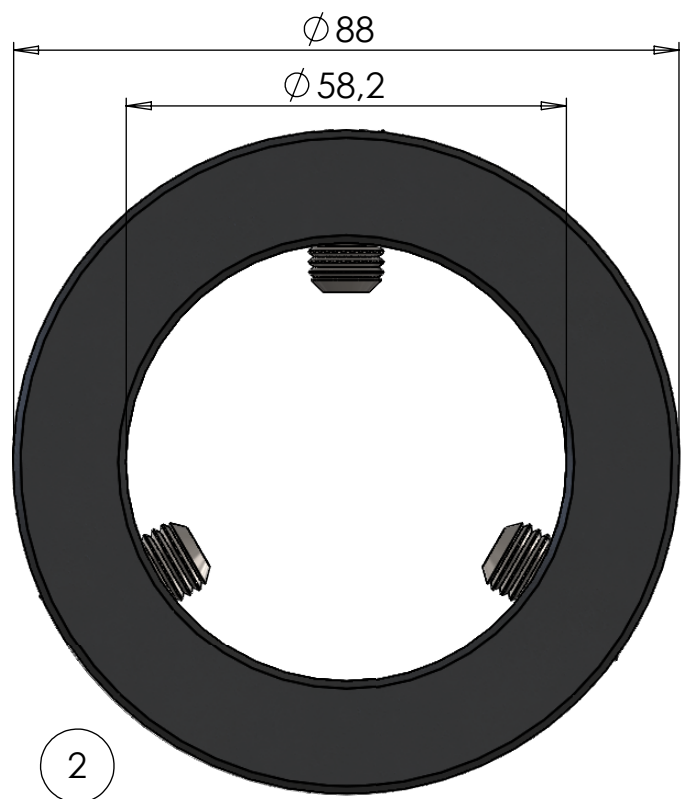
B

C

D


E

F



ITEM NO.	PART NUMBER	DESCRIPTION	QTY.
1	M57-058	Top / Lock ring 58mm	1
2	DIN 916-M10x12	Socket ser screw cup point	3

DWG NR / NAME: 46058 / Top / Lock ring 58mm				BATCH NR:	
PROJECT:				REKV.NR / ORDRE NR:	
DATE: 30-04-2020	NAME: TML	SCALE / PAPER: 1:1 / A4	MATERIAL: g	LOCATION:	ORDRE DATO:
MODIFY DATE: /			WEIGHT:	REV:	LEV.DATO:



Jefa Rudder
 SYSTEMS
 JEFA MARINE A/S
 NIMBUSVEJ 2
 2670 GREVE, DENMARK
 Tlf: +45 4615 5210 & Fax: +45 46155208
 Email: info@jefa.com www.jefa.com