

A

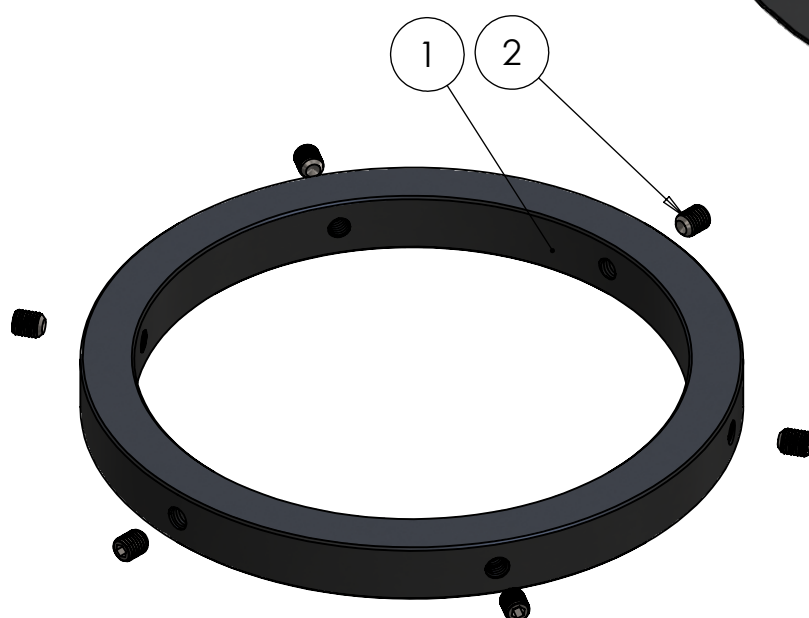
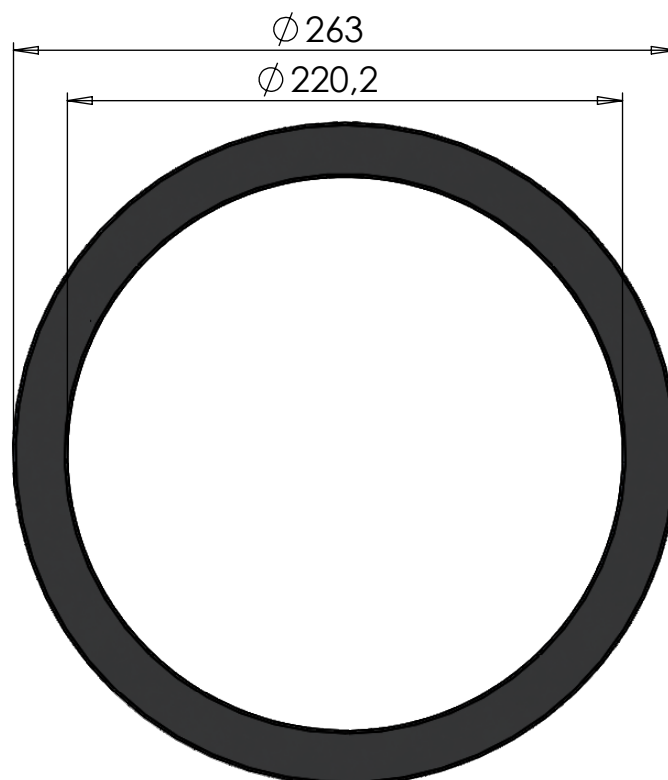
B

C

D

E

F



ITEM NO.	PART NUMBER	DESCRIPTION	QTY.
1	M57-220	Lockring for 220mm shaft	1
2	DIN 916 - M10 x 12-N	Socket ser screw cup point	6

DWG NR / NAME:

**46220 / Top / Lock ring 220mm**

BATCH NR:

PROJECT:

REKV.NR / ORDRE NR:

DATE: 04-05-2020

NAME: TML

SCALE / PAPER: 1:3 / A4

MATERIAL: WEIGHT: g

LOCATION:

ORDRE DATO:

MODIFY DATE: : /

REV:

LEV.DATO:

*Jefa Rudder*  
S Y S T E M S

JEFA MARINE A/S  
NIMBUSVEJ 2  
2670 GREVE, DENMARK

Tlf: +45 4615 5210 & Fax: +45 46155208  
Email: info@jefa.com www.jefa.com